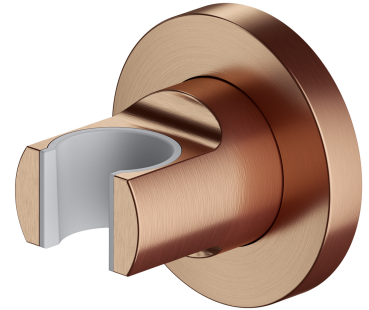


## BRACKET | wall bracket

---

Finish: brushed copper (CPB)



## Technologies

---



The product is coated using the advanced PVD technology which guarantees the highest possible durability and facilitates cleaning.



The product is made of high quality A-grade brass.

## Flow characteristics

---

- working pressure 1-5 bar

## Specification

---

- brass
- rosette dimensions:  $\varnothing 6$  cm, distance from the wall: 5 cm

