

BARETTI | shower mixer

Finish: matt black (BLM)

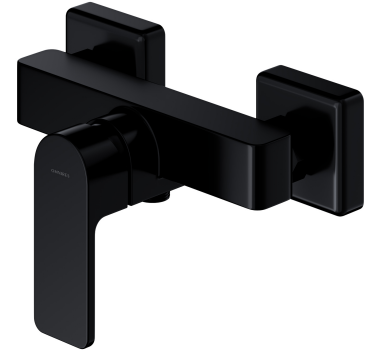
The OMNIRES BARETTI collection stands out with intriguing shapes of the body based on right angles and curves. This modern and harmonious form marvels with perfectly defined details.

Made of high grade brass, the mixer is equipped with a superior quality ceramic cartridge.

Matt black is an expressive finishing with a velvety to the touch surface.

Design: Dominika Drezner-Ilczuk

Certificates: Polish Declaration of Performance (B marking), Polish Hygienic Certificate PZH



Technologies



The mixer is equipped with the highest quality ceramic cartridge which ensures smooth and precise water flow control whilst guaranteeing long term product performance.



The mixer's body is made of high quality A-grade brass.

Flow characteristics

- water flow at 3 bar: 20 l/min
- hot water supply: max. 90 °C
- working pressure 1-5 bar
- acoustic group: N

Product care

How to take care of bathroom and kitchen fittings?

You should clean your bathroom and kitchen fittings regularly, preferably after each use, so as to prevent the build-up of hard-to-remove dirt. For daily maintenance of external surfaces, use a soft cloth (for example, a microfibre cloth) and a solution of water with a mild cleaning agent with a natural composition, then rinse the product thoroughly with clean water and wipe it dry. It is not recommended to use rough or abrasive materials and corrosive or bleaching substances to prevent damaging the surface of the product.

For more stubborn dirt, use a 10% citric acid solution with water. Apply this solution directly to the product or cover the product with a cloth soaked in the solution. After 10 minutes, rinse the product thoroughly with clean water and wipe it dry. If necessary, the process can be repeated.

