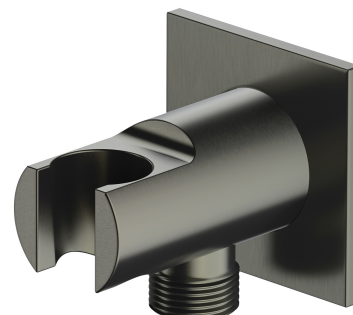


SHOWER ELBOW | shower elbow

Finish: anthracite (AT)



Technologies



The product is coated using the advanced PVD technology which guarantees highest possible durability, offers exceptional resistance to damage and facilitates cleaning.



The product is made of high quality A-grade brass.

Flow characteristics

- working pressure 1-5 bar

Specification

- brass
- with a hand shower bracket
- rosette dimensions: 6 x 6 cm
- distance from the wall 7 cm

