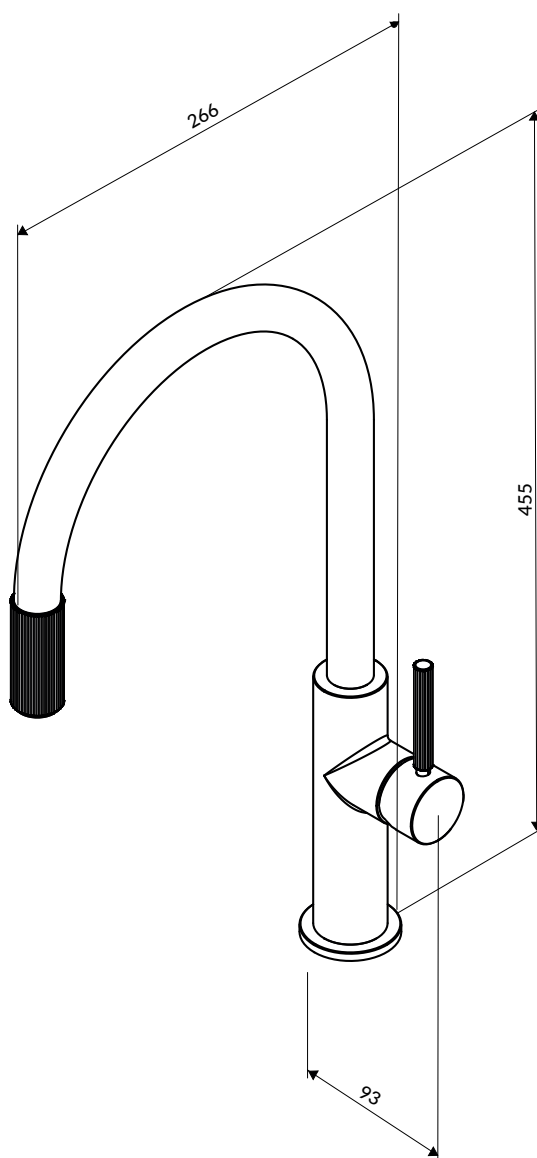


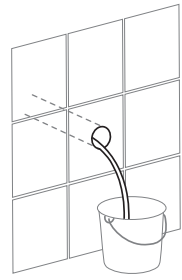
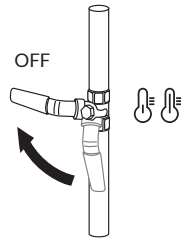
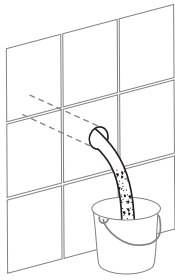
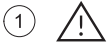
## SW9059# SW9059-FD1#

Installation and maintenance | Instrukcja montażu i konserwacji | Montage- und Wartungsanleitung | Notice de montage et d'entretien  
Istruzioni di montaggio e manutenzione | Instrucțiuni de instalare și întreținere | Szerelési és karbantartási utasítás

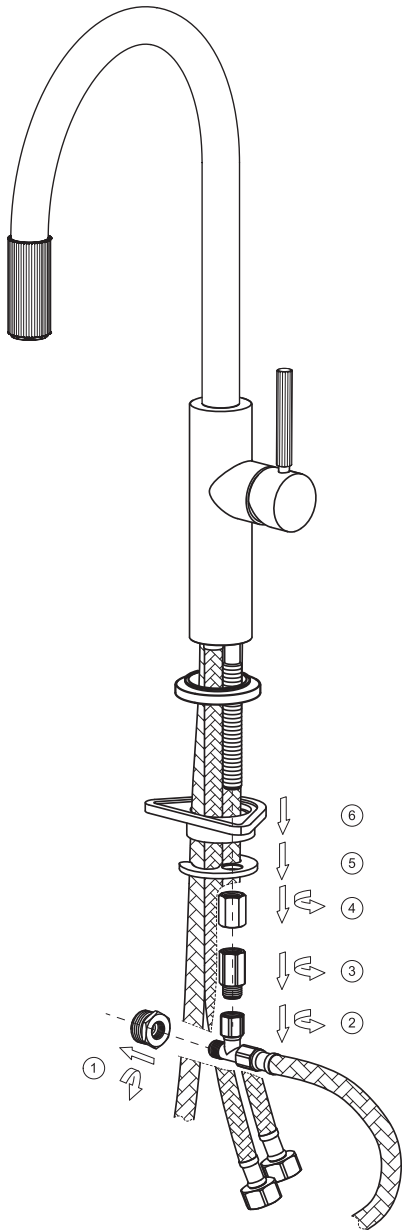


Product care  
Pielegnacja  
Pflege  
Soin  
Cura  
Întreținere  
Ápolás

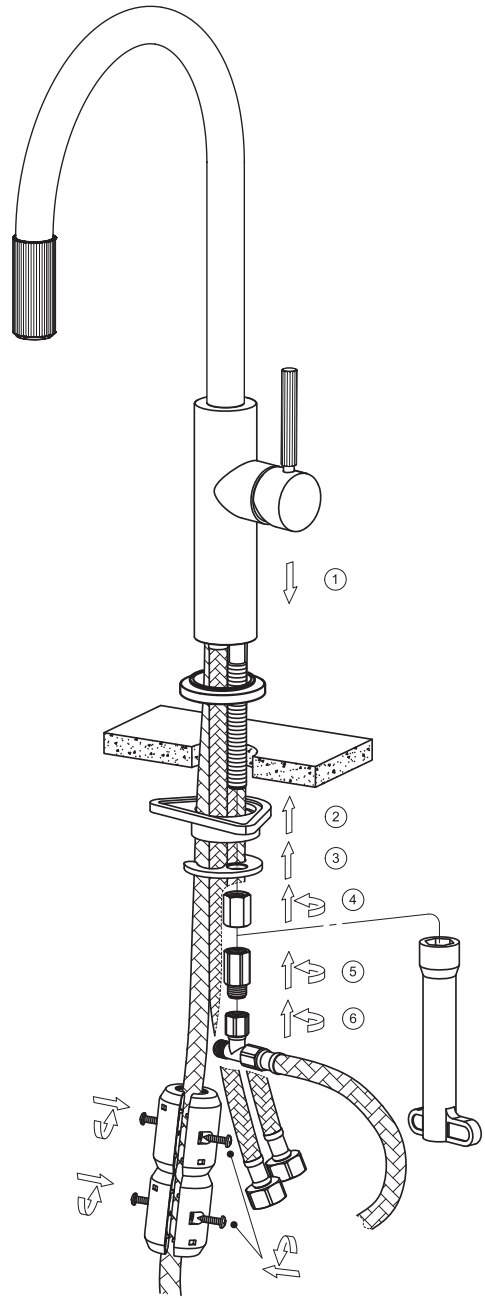
1



2



3



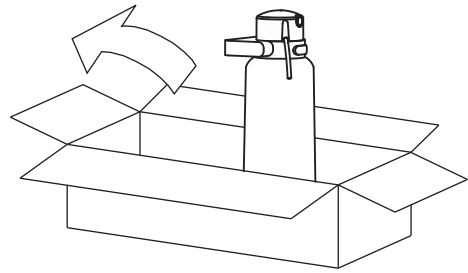
4a

SW9059#

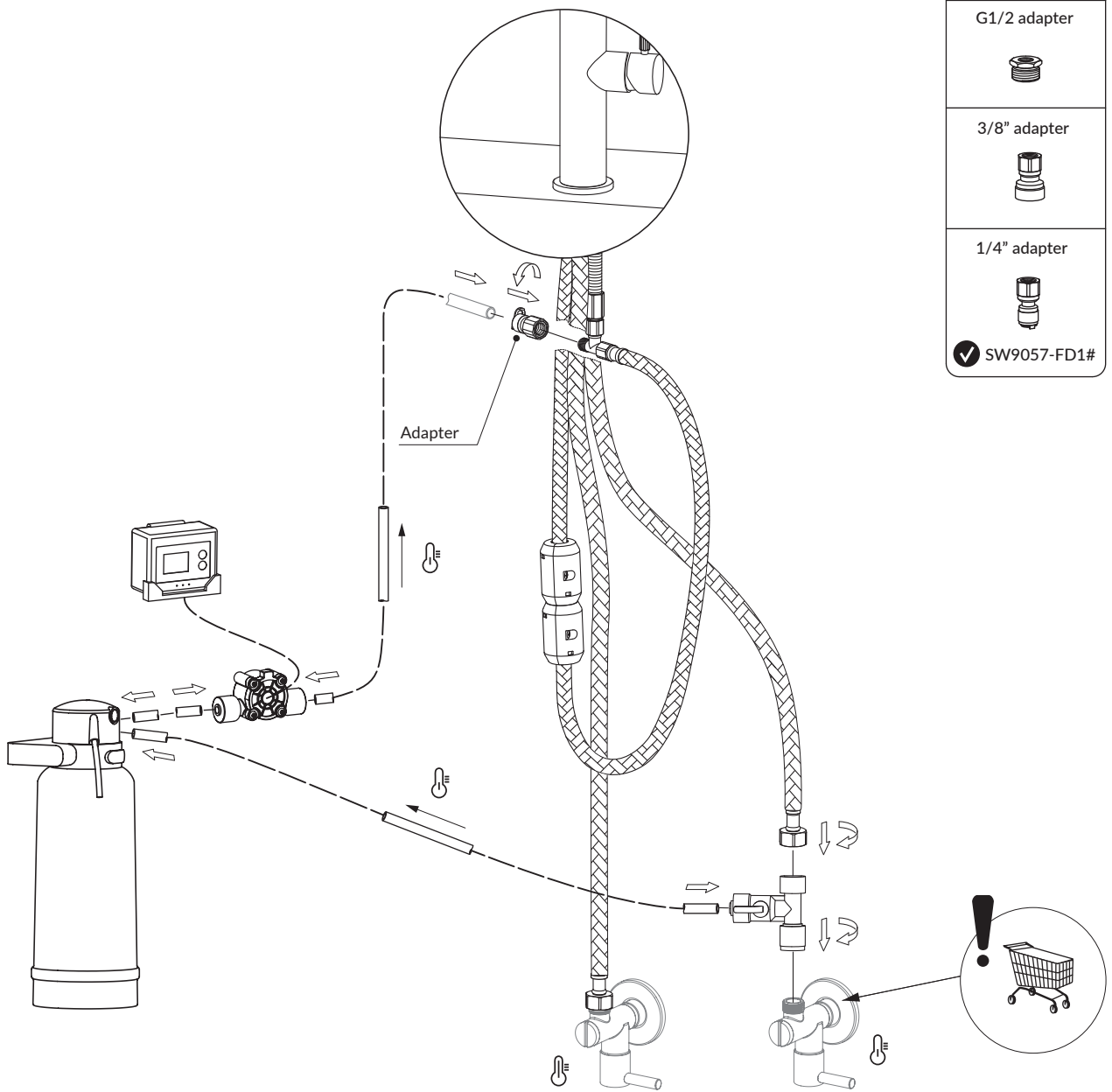


4b

SW9059-FD1#

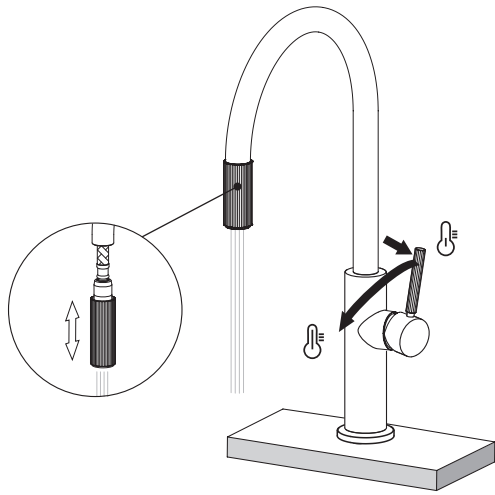


5

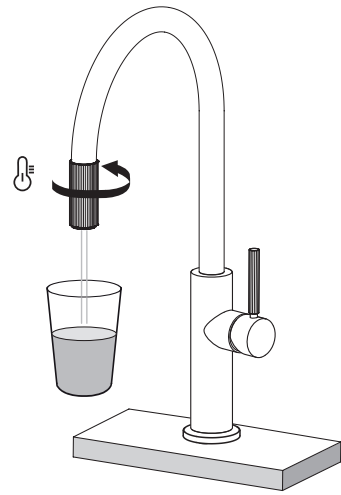


Included adapters	
G1/2 adapter	
3/8" adapter	
1/4" adapter	
<input checked="" type="checkbox"/> SW9057-FD1#	

6

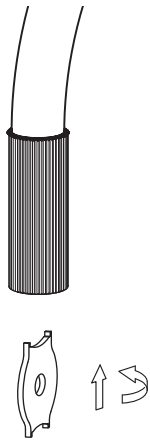


7

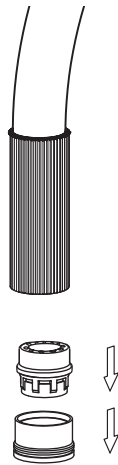


8

①



②

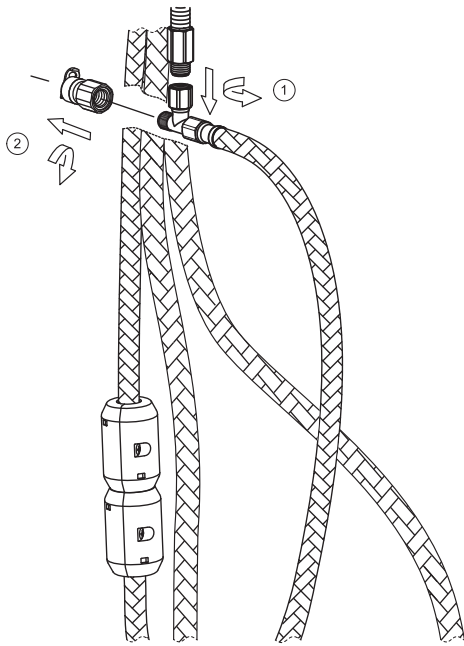


③

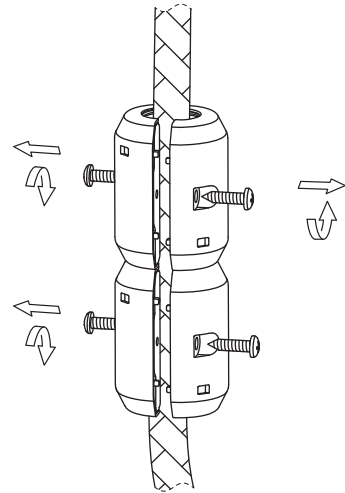


Replacing the hose and the spout | Wymiana węża i wylewki | Austausch des Schlauchs und des Auslaufs | Remplacement du flexible et du bec  
 Sostituzione del tubo flessibile e del beccuccio | Înlocuirea furtunului și a gurii de scurgere | A tömlő és a kifolyó cseréje

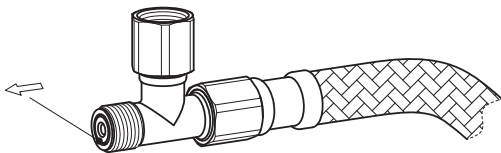
1



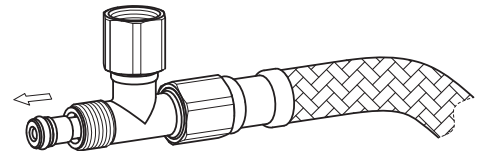
2



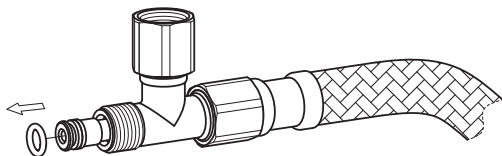
3



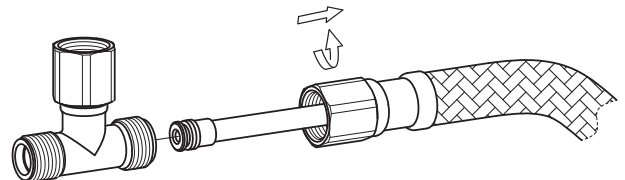
4



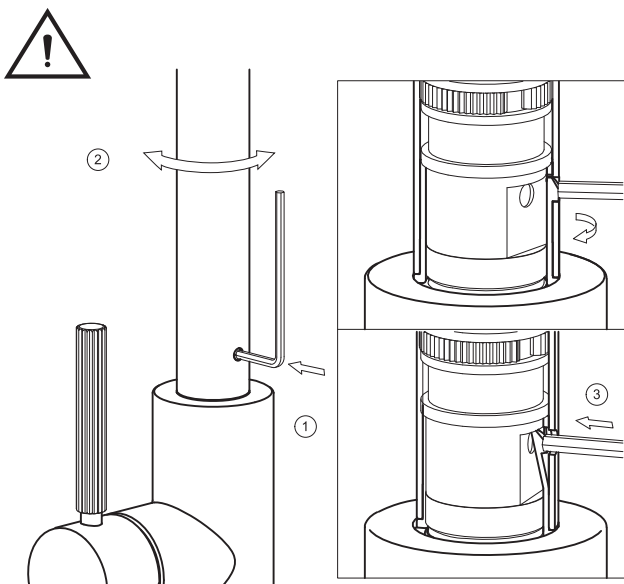
5



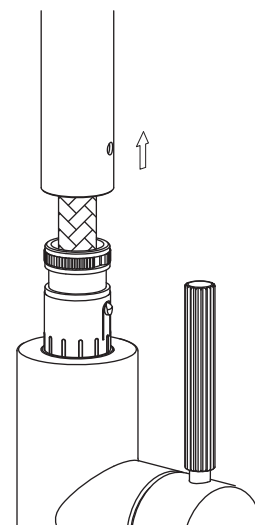
6



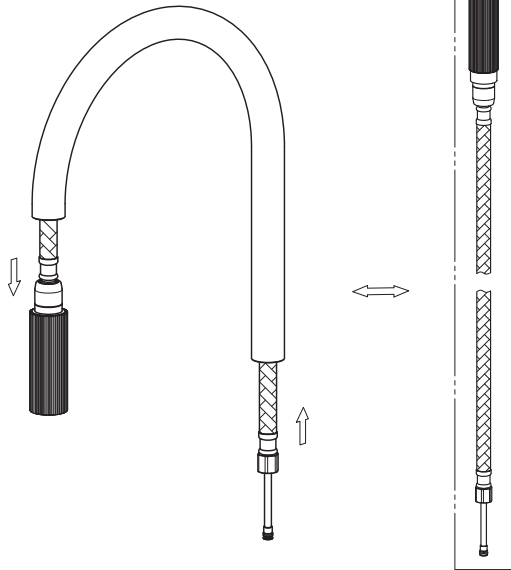
7



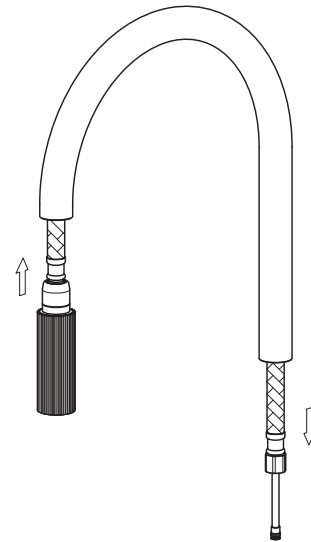
8



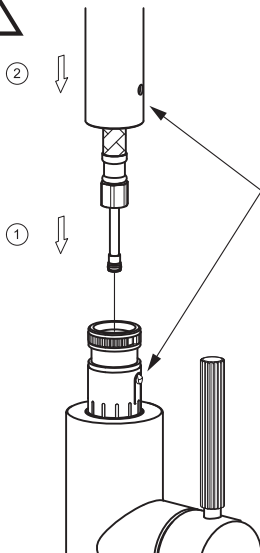
9



10



11



Wyrównaj  
Keep aligned  
Ausrichtung beibehalten  
Maintenir l'alignement  
Allinea  
Aliniați poziția  
Igazítási pozíció

Zachowaj tę samą pozycję co podczas demontażu.

Keep the same position as during disassembly.

Behalten Sie dieselbe Position wie beim Ausbau bei.

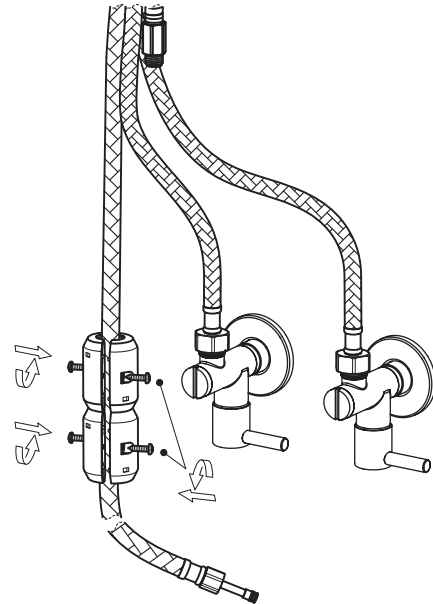
Conserver la même position que lors du démontage.

Mantieni la stessa posizione adottata durante lo smontaggio.

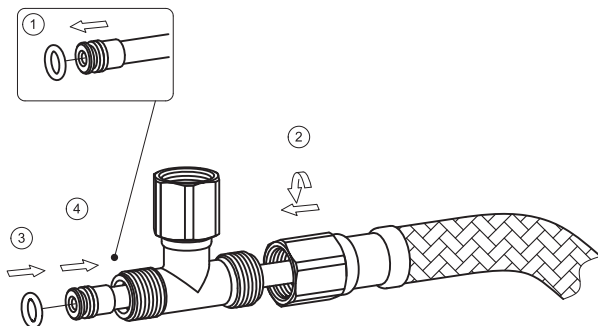
Mentțineți aceeași poziție ca în timpul dezasamblării.

Tartsa meg ugyanazt a pozíciót, mint a szétszerelés során.

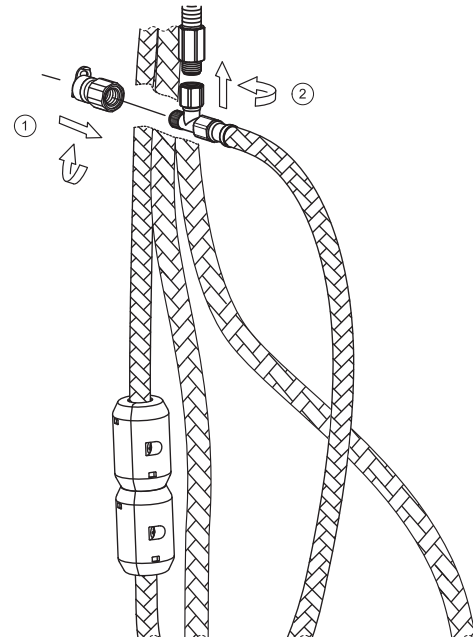
12



13



14



## FLOW COMFORT PERFECT FLOW METER

Installation and maintenance | Instrukcja montażu i konserwacji | Montage- und Wartungsanleitung | Notice de montage et d'entretien  
Istruzioni di montaggio e manutenzione | Instrucțiuni de instalare și întreținere | Szerelési és karbantartási utasítás

EN → 1 | PL → 6 | DE → 11 | FR → 16 | IT → 21 | RO → 26 | HU → 31

### EN Specifications

- The resin and activated carbon of natural origin found in the filter cartridge efficiently reduce the hardness of tap water and lower the content of chlorine and other undesirable substances. The water becomes clear and fully suitable for direct consumption and the preparation of drinks and food.
- Setting the filtration level should be preceded by determining the hardness of the tap water using a test strip. Information on water hardness is also provided by the local water supply company.
- Regulating the level of carbonate hardness reduction involves adjusting the position (turning) of the filter cartridge in relation to the filter head according to the markings provided. The filter's adjustable settings, its effectiveness and service life are dependent on the local properties of water as well as the condition of the water distribution system.
- Changing the filter cartridge and adjusting the level of carbonate hardness reduction are intuitive and require no additional tools.
- The system elements are adapted for installation inside the sink cabinet.
- The filter system uses materials approved for contact with food. The system has been issued with the relevant hygienic certificates.
- The Flow Comfort system comprises the electronic Flow Meter, which reminds the user to change the filter cartridge.

### Safe use - important information

- The tap water filtration system should be fitted onto the cold drinking water connection. Do not use with water that has not been tested for potability.
- A stop valve should be installed upstream of the filter. There is a built-in stop valve in the tee included in the kit. A pressure reducing valve must be installed if the water pressure is higher than the nominal pressure.
- Certain people, for example, those with kidney disease or a weak immune system, should consult the use of the filter with a specialist and/or doctor.
- It is recommended that the filter system is not left unused for long periods. If the system is unused for 2-3 days, it is recommended to flush it through with 2 litres of water. If the system is unused for more than a month, it should be flushed through with 20 litres of water.
- Filtered water remains drinkable for 1-2 days (depending on storage conditions).
- Due to the possibility of secondary contamination in the water system, the system is classified as category 2 according to EN 1717.
- The filter cartridge and the filter head must be protected from excessive heat and sunlight.
- The factory-packed PERFECT filter cartridge is suitable for use for 5 years from its manufacture date.
- The filter cartridge is suitable for systems with a G3/8" thread.

### Technical specifications of the water filtration system

Working pressure	0,08 - 0,6 MPa (0,8 - 6 bar)	
Maximum working pressure (use a pressure reducing valve for values exceeding the above)	0,8 Mpa (8 barów)	
Temperature of inlet water	4°C do 30°C	
Ambient temperature during storage and transport	-15°C do 40°C	
Water flow (averaged over all settings A,B,C,D)	Pressure in the water distribution system	1,6 l/min   0,1 MPa (1 bar)
		2,5 l/min   0,2 MPa (2 bar)
		3,7 l/min   0,3 MPa (3 bar)
		4,3 l/min   0,4 MPa (4 bar)
Mounting position	Vertical	
Water connection - inlet and outlet	Hose ¼" (6,3 mm)	
Filter cartridge weight (wet/dry)	1735 g/1115 g	
Dimensions of the filter with the head and bracket	110x110x290 mm	

### Contents of the packaging

PERFECT filter cartridge, which improves the taste of tap water and reduces its excessive hardness



Filter cartridge head with four-stage adjustment to adapt system operation to water hardness



Bracket and screws for wall mounting



Electronic water Flow Meter



Tee and flexible hose



Water hardness test strip



### Prior to installation

- Before installing the components, check the connecting elements for signs of damage and limescale. Clean or replace the components as necessary.
- The Flow Comfort filter system must be installed in line with the applicable guidelines for drinking water systems.

### Affixing the filter head onto the filter cartridge

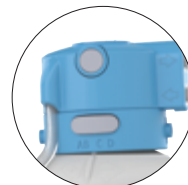
- 1 Remove the protective cap immediately before affixing the filter head onto the filter cartridge.  
Method of removing the protective cap:



Fig. 1

- 2 Press the filter head onto the filter cartridge with a decisive movement, pressing onto the entire surface evenly so that there is no gap left between the filter cartridge and the head. When mounting the head, we recommend placing the cartridge on a stable surface, such as the bottom of a cupboard or the floor. Make sure that the lock button is protruding just as it was before the head and cartridge were connected. (Fig. 1) The place marked on the cartridge with arrows must be sitting in the centre of the ABCD markings on the filter head.

The vent hose, which is part of the filter head, should be freely routed on the external side of the head.



### Connecting the filter system to the water system

- Divide the flexible hose into two parts – one to be fitted to the mains water supply and the other to the 3-way mixer. Remember to cut the hose at a right angle.
- The filter system is connected to the water system using 1/4" (6.3 mm) water hoses, which are inserted (as far as they will go) into the quick fit couplings located on the filter head.
- The filter head is marked with arrows showing the water inlet and outlet to ensure correct water hose placement.
- Depending on the type and size of the cold drinking water connection, there are several ways to install the inlet hose.

To connect the inlet hose to the water intake, use a tee suitable for 1/4" (6.3 mm) water hoses.

Angle stop valve with a check valve, G3/8" thread and 1/4" quick fit coupling for the water hose:

- allows the connection of a 1/4" water hose where the mixer's flexible hose connects to the cold water intake
- it features backflow protection
- a quick fit coupling makes connecting a 1/4" hose quick and easy

### Installation of the wall bracket

- The filter can stand in an upright position or be suspended from a wall bracket with the hoses hanging loose.
- The wall bracket is mounted using two screws suitably selected for the type of wall, e.g. for chipboard – screws 3.5 Pz. The bracket should be mounted so as to provide adequate space for the filter cartridge fitted in the upright position.



First method



Second method

### Inserting the filter head with the filter cartridge inside the mounting bracket

- 1 Insert the filter head clip into the hole on the right side of the bracket arm
- 2 Lightly pull back the opposite side of the bracket arm and fasten the head by pressing the clip into the hole.
- 3 Check that the head is secure inside the bracket.



The capacities specified are maximum values that should not be exceeded due to the quality of the filtered water. To a very large extent, the filter's genuine capacity depends on the parameters of the water entering the filter.

### System start-up

- 1 Before turning on the water supply, ensure that all installation work has been carried out correctly and all system components have been fitted correctly.
- 2 Turn on the filtered water tap.
- 3 Turn on the water supply, check for leaks and run the water through until it is clear and free of air bubbles.

### Testing water hardness

- Before setting the water hardness reduction level, the carbonate hardness of the tap water must be determined using the test strip supplied. Information on the hardness of the water can be obtained from the local water supply company.
- Immerse all the reaction fields of the test strip in a glass of cold, unfiltered water for 1 second.
- Shake off excess water from the strip.
- After 60 seconds, check the number of fields that have changed colour from green to pink and adjust the head settings according to Table 1.

### Selecting the water hardness reduction setting

By rotating the filter cartridge relative to the head, the optimum level of water hardness reduction can be set. The appropriate setting is shown in Table 1:



Table 1		Carbonate hardness of water		Setting the carbonate hardness reduction level	Capacity for filter element D1 in litres
Water hardness test result	In German degrees [°d]	CaCO <sub>3</sub> mg/l (milligrams per litre)			
	Hard and very hard water over 14	above 250		400	
	Medium-hard water 8 to 14	140 to 250		600	
	Soft water 4 to 8	70 to 140		1100	
	Very soft water below 4	below 70		1500	

The capacities specified are maximum values that should not be exceeded due to the quality of the filtered water. To a very large extent, the filter's genuine capacity depends on the parameters of the water entering the filter.

### Replacement of filter element PERFECT

The filter cartridge must be replaced if one of the following occurs:

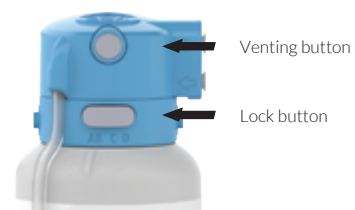
- The taste or smell of the filtered water deteriorates.
- The capacity specified by the manufacturer is reached (see Table 1).
- 12 months from the installation of the filter expires.
- Regardless of the pressure drop in the water system, there is a clearly noticeable drop in the pressure of the outlet water.
- An indicator signals the time after which the filtration efficiency will decrease.

### Important!

If the product has been stored or transported in temperatures below 4°C, it should be left at room temperature in an open packaging for at least 24 hours before it is installed.

### Filter cartridge replacement instructions

- Turn off the water supply to the system.
- Place a container under the hose and filter and press and release the round venting button to reduce pressure in the system.
- **Remove the head together with the filter cartridge from the bracket.**
- Press the elongated filter cartridge lock button and remove the cartridge. If the cartridge is difficult to remove, turn it firmly to the right or left and pull it out.
- Remove the protective cap from the new filter cartridge. The cap can be placed over the used cartridge to prevent any leakage.
- Next, perform the same steps as when installing the head for a new filter cartridge (see page 2) and start it up according to the instructions listed on page 2. **Turn on the water supply, check for leaks.**
- The filter head is protected from leaks: without the filter cartridge, water does not flow, nor does it flow out of the head.



### Maintenance

- Regularly check that the system is leak-tight and that the hoses are not kinked. Kinked hoses should be replaced immediately.
- Do not use aggressive cleaning agents, abrasive substances or cleaning solutions.

### Electronic water flow meter

The electronic water flow meter measures the amount of filtered water.

THE METER IS INSTALLED BY AN INSTALLER

### Installation of power supply batteries

Slide the battery compartment cover off the side of the flow meter housing, remove the basket and insert two AA alkaline batteries into it, observing their correct polarity. Replace the basket and replace the cover. Two AA alkaline batteries are sufficient for two years of normal use.

### Programming of filter capacity monitoring

Press the "PROG" button, "PROG" will start flashing on the LCD display. Press "RESET" to select the appropriate value to set for the digit on the right. Once you have selected a value, press the "PROG" button to save the value and move to the next digit. Repeat the procedure to program the values of the five digits from right to left. Maximum monitoring value Flow Meter lists 99999 litres. The end of programming is marked by an audible signal \*. If no button is pressed for one minute during programming, the procedure will be completed and the meter will return to its original state.

After replacing the filter cartridge with a new one, briefly press the RESET button. The display will show the current meter status. Next, once again press the RESET button for approx. 5 seconds. The meter will start monitoring the capacity of the new filter.



Meter installation example

### Operation

The Flow Meter switches on automatically, displays the remaining capacity when water flows through the sensor, and switches off automatically 10 seconds after the water stops flowing.

### Filter use alarm

The Flow Meter generates an audible alarm, and the digits on the LCD display flash when the remaining capacity reaches zero or minus. The alarm will be generated every time water flows through the sensor.

### Resetting the filter

Press the "RESET" button for three seconds, "RESET" will flash twice on the LCD display, and the remaining capacity will be reset to the original programmed value.

### Low battery warning

When the battery capacity level becomes low, the Flow Meter will generate an audible alarm and a flashing empty battery symbol will appear in the top right corner of the LCD display. The alarm will be cancelled when the batteries are replaced with new ones. Replacing the battery does not result in the loss of the meter reading.

### Technical data of the Flow Meter

Water flow	0,2-5 l/min.
Water flow measurement	from 1-99999 liters
Power supply	2 AA alkaline batteries
Connecting element	1/4" hose
Operating temperature range	from 4 to 80°C
Working pressure	max 8 bar
Weight	140 g
Accuracy	+/- 5%
Length of the electrical cable to the flow sensor	1,5 meters
System repeatability	1%

### Disposal recommendations and environmental protection guidelines



#### Recommendations for the disposal of the independent electronic filter change indicator

If the appliance, packaging, instruction manual, etc., bear the symbol of a crossed-out wheeled bin, this means that it is subject to separate collection in accordance with Directive 2012/19/EU of the European Parliament and of the Council. The symbol of a crossed-out wheeled bin on the appliance, packaging or instruction manual indicates that electrical and electronic equipment, once it has been used, must not be disposed of together with general household waste. Disposing of the device with mixed solid waste is prohibited, as it may be harmful to the environment. The user must return used equipment to waste electrical and electronic equipment collection points. In the event of improper disposal of this product, penalties may be imposed in accordance with national legislation.



#### Disposal of batteries

The product requires batteries as described in Directive 2006/66/EC, which cannot be disposed of with other household waste. Make sure to familiarise yourself with local regulations on battery disposal, as proper disposal helps prevent environmental pollution and damage to health.

#### Environmental protection

The manufacturer has made every effort to eliminate unnecessary packaging. The packaging used can be roughly divided into three groups: cardboard, polystyrene foam (side protection elements) and polyethylene (plastic bags, protective film). The device is built from materials that specialised companies can recycle and reuse. Make sure to familiarise yourself with the applicable local regulations regarding the disposal of packaging materials, discharged batteries and used electronic devices.

## Translation of the DAFI warranty terms

### Warranty Terms

Formaster S.A., at ul. Fabryczna 24, 25-818 Kielce, entered into the commercial register of the National Court Register (KRS) kept by the District Court in Kielce, 10th Commercial Division of the National Court Register, under KRS number 0000080942, Polish tax identification number NIP 9590122245, Polish business identification number REGON 290670483, BDO 000000048, share capital: PLN 9,313,000.00 paid in full, (hereinafter referred to as the "Guarantor") grants a guarantee for the Flow Comfort filter system on the terms and conditions set out in this document.

1. This warranty applies to the Flow Comfort filter system (hereinafter referred to as the "Product") purchased by the Customer in shops within the territory of the Republic of Poland. The warranty is valid only in Poland.
2. The Product is covered by a warranty for defects and manufacturing faults, which is valid for 24 months from the date of purchase.
3. The warranty does not exclude, limit, or suspend the rights of the Customer who is a consumer under the provisions on implied warranty for defects in the goods sold.
4. The warranty remains valid only if the Customer complies with all recommendations specified in the system user manual.

### Processing of warranty claims

1. Before delivering the Product to the Service Centre, the Customer is obliged to contact Formaster's service department in advance by calling the free helpline: 800 703 048 or by emailing: [serwis@formaster.com](mailto:serwis@formaster.com) to obtain information on how to ship/deliver the defective Product.
2. The Customer is obliged to deliver the Product directly to the Service Centre at the following address: Formaster S.A., ul. Fabryczna 24, 25-818 Kielce. Delivery of the Product to the Service Centre and its return to the address provided in the warranty claim shall be at the expense of the Guarantor. The Product should be secured by the Customer against damage during transport to the Service Centre. The Customer is obliged to attach proof of purchase and a warranty claim to the Product subject to the claim. The claim should include details such as: first name and surname, phone number, return address, date of discovery of the defect, description of the defect and the Customer's request.
3. Claims shall be handled within ten working days from the date of delivery of the Product to the Service Centre and the submission of the warranty claim containing at least the information specified in point 2 above. Formaster shall inform the Customer of its decision regarding the claim by email or by phone.
4. If the claim is accepted, i.e. upheld in accordance with the Customer's request, the defective Product shall be repaired or replaced within ten working days from the date of informing the Customer of the decision referred to in point 3 above.
5. The time limit for repair or replacement referred to above may be extended if the Customer sends a claim that omits the information specified in point 2 above, the Customer fails to send proof of purchase of the Product, and in other justified cases or in the event of force majeure, i.e. an external event that cannot be foreseen or prevented by ordinary means or safeguarded against.
6. In the event of a delay in repair or replacement, Formaster shall inform the Customer thereof by email or by phone.
7. The working day referred to in this document shall be understood as a calendar day, excluding Saturdays, Sundays and days recognised as public holidays under Polish law.
8. Any defective Products or parts thereof that have been replaced with new parts under warranty repair shall become the property of the Guarantor.
9. If the complaint is not accepted, the Product shall be returned to the Customer.
10. In the event of faults and manufacturing defects in the Product, the Customer is obliged to immediately refrain from using the damaged Product from the moment the defect is discovered.

### The warranty does not include:

- damage/defects resulting from use, maintenance or storage that does not comply with the Product's user manual;
- mechanical, thermal or chemical damage caused (after delivery of the Product to the Customer) by external factors, i.e. for reasons not attributable to the Product;
- damage resulting from damage previously identified by the Customer and not repaired;
- the effects of repairs, alterations or structural changes made by entities other than the Service Centre;
- damage caused by incorrect installation – not in accordance with the recommendations given in the manual, and installation of incorrect parts or accessories by entities other than the Service Centre;
- damage caused (after the Product has been delivered to the Customer) as a result of random events (e.g. flood, fire), i.e. for reasons not related to the Product;
- the Product, if a replaceable filter cartridge that has lost its filtering capacity has not been replaced in a timely manner.

### The warranty shall become invalid if:

- the Service Centre shall identify any alterations or modifications to the design made by entities other than the Service Centre;
- the Service Centre finds that mechanical interference with the Product has been made (after the Product has been delivered to the Customer) by an entity other than the Service Centre;
- damage resulting from accidents described in the section "The warranty does not include".

### Personal data:

In accordance with Article 13 of the General Data Protection Regulation of 27 April 2016 (Official Journal of the European Union L 119 of 4 May 2016):  
The controller of your personal data is Formaster S.A., ul. Fabryczna 24, 25-818 Kielce.  
The rules for processing Customers' personal data are set out in the Privacy Policy available at <https://dafn.pl/polityka-prywatnosci/>.

Any questions, comments or suggestions regarding the above warranty can be sent to the following email address: [serwis@formaster.com](mailto:serwis@formaster.com)

The provisions of this Document shall apply from 27 September 2021 and shall apply to Products purchased from 27 September 2021. This Document may be subject to change, in which case the amended Document shall apply to Products ordered/purchased from the date of entry into force of the amendments. Any amendments to the Document shall not affect the warranty granted for the Product prior to the effective date of the amended Document or the rights acquired by Customers prior to the effective date of the amended Document.

- Zawarte we wkładzie filtrującym złoża żywicy oraz aktywny węgiel pochodzenia naturalnego doskonale redukują twardość wody kranowej i obniżają zawartość chloru oraz innych niepożądanych substancji. Woda staje się klarowna i w pełni nadaje się do bezpośredniego spożycia oraz przygotowywania na jej bazie napojów i potraw.
- Ustawienie poziomu filtracji powinno być poprzedzone ustaleniem twardości wody kranowej za pomocą paska do testowania. Informację o twardości udostępniają także lokalne zakłady wodociągowe.
- Regulacja poziomu redukcji twardości węglanowej polega na ustawieniu położenia (przekręceniu) wkładu filtrującego względem głowicy według naniesionych oznakowań. Ustawienia regulacyjne, skuteczność filtra oraz trwałość zależą od lokalnych właściwości wody, a także stanu instalacji wodnej.
- Wymiana wkładu filtrującego i regulacja poziomu redukcji twardości węglanowej jest intuicyjna i nie wymaga zastosowania dodatkowych narzędzi.
- Elementy systemu przystosowane są do montażu w szafce zlewozmywakowej.
- W systemie filtrującym wykorzystano materiały dopuszczone do kontaktu z żywnością. System posiada stosowne atesty higieniczne.
- Częścią systemu Flow Comfort jest elektroniczny miernik przepływu wody Flow Meter, przypominający o potrzebie wymiany wkładu filtrującego.

#### Bezpieczeństwo użytkowania - ważne informacje

- System filtrujący do wody kranowej powinien być zainstalowany do przyłącza zimnej wody pitnej. Nie stosować w przypadku wody nieprzebadanej pod kątem przydatności do spożycia.
- Przed filtrem powinien być zainstalowany zawór odcinający. W trójniku dołączonym do zestawu jest wbudowany zawór odcinający. Jeżeli ciśnienie wody jest większe niż nominalne, należy zainstalować zawór redukcyjny.
- Niektóre grupy osób, np. osoby ze schorzeniami nerek, słabym układem odpornościowym, powinny konsultować możliwość i sposób stosowania filtra ze specjalistą i/lub lekarzem.
- Zaleca się, aby system filtrujący nie był pozostawiony bez użytku przez dłuższy czas. W przypadku, gdy system nie jest używany przez 2-3 dni, zaleca się jego przepłukanie 2 litrami wody. Jeśli nie był użytkowany dłużej niż miesiąc, należy przepłukać go 20 litrami wody.
- Przefiltrowana woda pozostaje przydatna do spożycia przez 1-2 dni (w zależności od warunków przechowywania).
- Ze względu na możliwość zaistnienia wtórnych zanieczyszczeń w instalacji wodnej, system wg PN-EN 1717 klasyfikowany jest do kategorii 2.
- Wkład filtrujący oraz głowicę należy chronić przed nadmiernym nagrzewaniem i nasłonecznieniem.
- Fabrycznie zapakowany wkład filtrujący PERFECT jest przydatny do użycia przez 5 lat od daty produkcji.
- Wkład filtrujący jest dostosowany do instalacji z gwintem G3/8".

#### Dane techniczne systemu filtrującego

Ciśnienie robocze	0,08 - 0,6 MPa (0,8 - 6 barów)	
Maksymalne ciśnienie robocze (powyżej stosować reduktor ciśnienia)	0,8 Mpa (8 barów)	
Temperatura pobieranej wody	4°C do 30°C	
Temperatura otoczenia podczas przechowywania i transportu	-15°C do 40°C	
Przepływ wody (wartości uśrednione dla wszystkich ustawień A,B,C,D)	Ciśnienie w instalacji wodnej	1,6 l/min   0,1 MPa (1 bar)
		2,5 l/min   0,2 MPa (2 bar)
		3,7 l/min   0,3 MPa (3 bar)
		4,3 l/min   0,4 MPa (4 bar)
Pozycja montażowa	Pionowa	
Podłączenie wody - dolot i wylot	Wężyk 1/4" (6,3 mm)	
Ciężar wkładu filtrującego (mokry/suchy)	1735 g/1115 g	
Wymiary filtra z głowicą i uchwytem	110x110x290 mm	

#### Zawartość opakowania

Wkład filtrujący PERFECT, poprawiający smak wody kranowej i redukujący jej nadmierną twardość



Głowica wkładu filtrującego z czterostopniową regulacją pozwalającą na dopasowanie pracy systemu do twardości wody



Uchwyt i wkręty do montażu na ścianie



Elektroniczny miernik przepływu wody Flow Meter



Trójnik i elastyczny wężyk



Pasek do badania twardości wody



#### Uwagi przed montażem

- Montaż systemu Flow Comfort można przeprowadzić samodzielnie. Wszelkich porad udziela serwis fabryczny Dafi pod numerem bezpłatnej infolinii: 800 703 048.
- Przed zainstalowaniem elementów systemu należy sprawdzić, czy elementy przyłącza nie posiadają śladów uszkodzenia i czy nie są zakamienione. W razie potrzeby oczyścić lub wymienić elementy.
- Instalację systemu filtrującego Flow Comfort należy wykonać zgodnie z obowiązującymi przepisami dla instalacji wody pitnej.

#### Instalacja głowicy na wkład filtrujący

- 1 Bezpośrednio przed zapięciem głowicy na wkład filtrujący, należy zdjąć osłonę zabezpieczającą. Sposób zdejmowania osłony zabezpieczającej:



Oderwij zabezpieczenie



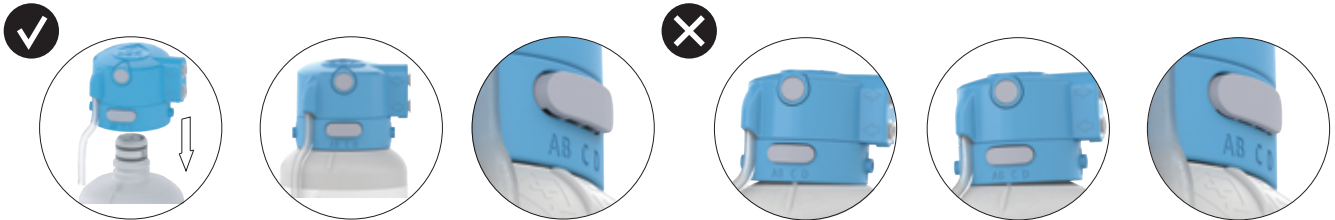
Zdejmij osłonę



rys. 1

- Wciśnij głowicę na wkład filtrujący zdecydowanym ruchem, dociskając równo całą powierzchnię, tak aby pomiędzy filtrem a głowicą nie została szczelina. Podczas montowania głowicy zalecamy postawić wkład na stabilnym podłożu, np. dnie szafki lub podłodze. Zwróć uwagę aby przycisk blokady był tak samo wysunięty jak przed połączeniem głowicy z filtrem. (rys. 1) Miejsce oznaczone na wkładzie strzałkami musi znajdować się na wprost oznakowań ABCD na głowicy.

Wążek odpowietrzający, stanowiący część głowicy, powinien być swobodnie wyprowadzony i znajdować się na zewnątrz głowicy.



#### Podłączenie systemu filtrującego do instalacji wodnej

- Podziel elastyczny wążek na dwie części - jeden przeznaczony do montażu do sieci wodociągowej, a drugi do baterii trójdrożnej. Pamiętaj, aby dociąć wążek pod kątem prostym.
- System filtrujący podłącza się do instalacji wodnej za pomocą wążków wodnych 1/4" (6,3 mm), wsuwając je do oporu do szybkozłączek znajdujących się w głowicy.
- Umieszczenia wążków wodnych oznaczone są na głowicy strzałkami pokazującymi wlot i wylot wody.
- W zależności od rodzaju i rozmiaru przyłącza zimnej wody pitnej istnieje kilka sposobów montażu wążka dolotowego.

Aby podłączyć wążek dolotowy do ujęcia wody należy użyć trójnika dostosowanego do wążków wodnych 1/4" (6,3 mm).

Kątowy zawór odcinający z zaworem zwrotnym, gwintem G3/8" i szybkozłączką do wążka wodnego 1/4".

- umożliwia wpięcie wążka wodnego 1/4" w miejscu podłączenia wążka elastycznego baterii czepalnej do ujęcia wody zimnej
- posiada zabezpieczenie przed wypływem zwrotnym z filtra
- szybkozłączka powoduje, że wpinanie wążka 1/4" jest szybkie i łatwe

#### Montaż uchwyty naściennego

- Filtr może stać swobodnie na podłożu w pozycji pionowej lub być zawieszony na uchwycie naściennym, tak aby wążki były luźne.
- Uchwyt naścienny montuje się za pomocą dwóch wkrętów odpowiednio dobranych do rodzaju ściany np. do meblowej płyty wiórowej - wkręty 3,5 Pz. Uchwyt należy tak zamontować, aby zapewnić odpowiednie miejsce na wkład filtrujący w pozycji pionowej.



1 sposób



2 sposób

#### Zapinanie głowicy z wkładem filtrującym do uchwyty mocującego

- 1 Wsuń zaczep głowicy w otwór uchwyty mocującego z prawej strony.



- 2 Lekko odchyl przeciwnie ramię uchwyty mocującego i zapnij głowicę wciskając zaczep w otwór.



- 3 Sprawdź, czy głowica jest stabilnie osadzona w uchwycie mocującym.



Podane wydajności to wartości maksymalne, których nie powinno się przekraczać ze względu na jakość wody przefiltrowanej. Rzeczywista wydajność, w bardzo dużym stopniu, zależy od parametrów wody wpływającej do filtra.

#### Uruchomienie systemu

- 1 Przed odkręceniem dopływu wody upewnij się, że wszystkie czynności instalacyjne zostały wykonane poprawnie, a wszystkie elementy systemu zostały prawidłowo dopasowane.
- 2 Odkręć kran wody filtrowanej.
- 3 Odkręć dopływ wody, sprawdź czy nie ma wycieków oraz przepuść wodę do momentu, aż będzie ona przezroczysta i pozbawiona pęcherzyków powietrza.

#### Badanie twardości wody

- Przed ustawieniem poziomu redukcji twardości wody, należy ustalić twardość węglanową wody wodociągowej za pomocą dostarczonego w komplecie paska testowego. Informację o stopniu twardości wody udostępniają lokalne zakłady wodociągowe.
- Zanurz na 1 sekundę wszystkie pola reakcji paska testowego w szklance z zimną, nieprzefiltrowaną wodą.
- Strząśnij nadmiar wody z paska.
- Po upływie 60 sekund sprawdź liczbę pól, które zmieniły kolor z zielonego na różowy i dostosuj ustawienie głowicy zgodnie z tabelą nr 1.

## Wybór ustawienia redukcji twardości wody

Za pomocą obrotu wkładu filtrującego względem głowicy można ustawić optymalny poziom redukcji twardości wody. Odpowiednie ustawienie prezentuje tabela nr 1:



Tabela nr 1		Twardość węglanowa wody		Ustawienie poziomu redukcji twardości węglanowej wody	Wydajność dla wkładu filtrującego D1w litrach
Wynik testu twardości wody	W stopniach niemieckich [°d]	CaCO3 mg/l (miligrama na liter)			
	Twarda i bardzo twarda woda powyżej 14	powyżej 250		400	
	Średnio twarda woda 8 do 14	140 do 250		600	
	Miękka woda 4 do 8	70 do 140		1100	
	Bardzo miękka woda poniżej 4	poniżej 70		1500	

Podane wydajności to wartości maksymalne, których nie powinno się przekraczać ze względu na jakość wody przefiltrowanej. Rzeczywista wydajność, w bardzo dużym stopniu, zależy od parametrów wody wpływającej do filtra.

## Wymiana wkładu filtrującego PERFECT

Wkład filtrujący należy wymienić, jeżeli zaistnieje choćby jeden z podanych poniżej przypadków:

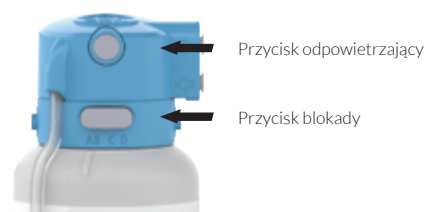
- Smak lub zapach wody filtrowanej pogorszą się.
- Podana przez producenta wydajność zostanie osiągnięta (patrz tabela nr 1).
- Minie 12 miesięcy od momentu zainstalowania filtra.
- Niezależnie od spadku ciśnienia w instalacji wodnej, wystąpi wyraźnie zauważalny spadek ciśnienia wpływającej wody.
- Wskaźnik zasignalizuje czas użytkowania, po którym obniży się efektywność filtracji.

## Uwaga!

Jeśli produkt był przechowywany lub transportowany w temperaturze poniżej 4°C, przed instalacją należy pozostawić go w temperaturze pokojowej w otwartym opakowaniu przez co najmniej 24 godziny.

## Instrukcja wymiany wkładu filtrującego

- Zamknij dopływ wody do systemu.
- Umieść pod wężykiem i filtrem pojemnik na wypływającą wodę, a następnie wciśnij i puść okrągły przycisk odpowietrzenia celem zredukowania ciśnienia w systemie.
- **Wypnij głowicę wraz wkładem filtrującym z uchwytu mocującego.**
- Wciśnij podłużny przycisk blokady wkładu filtrującego i wysuń wkład. Jeżeli wkład trudno wyjąć przekręć go mocno w prawo lub lewo i wysuń.
- Zdejmij osłonę szyjki z nowego wkładu filtrującego. Osłonkę można założyć na zużyty filtr, aby nie wypływała z niego woda.
- Następnie postępuj tak jak przy instalacji głowicy na nowy wkład filtrujący (patrz strona 6) i uruchom zgodnie z instrukcją na stronie 7. **Odkręć dopływ wody, sprawdź czy nie ma wycieków**
- Głowica filtra posiada zabezpieczenie przed zalaniem: bez wkładu filtrującego woda nie przepływa, ani nie wypływa z głowicy.



## Konserwacja

- Regularnie sprawdzaj, czy system jest szczelny oraz czy wężyki nie są pozaginane. Zagięte wężyki należy niezwłocznie wymienić.
- Nie używaj agresywnych środków czyszczących, substancji ściernych czy roztworów czyszczących.

## Elektroniczny miernik przepływu wody

Elektroniczny miernik przepływu wody dokonuje pomiaru ilości przefiltrowanej wody.

## MONTAŻ CZUJNIKA PRZEPROWADZA INSTALATOR

### Instalacja baterii zasilających

Zsunąć pokrywę komory baterii z boku obudowy przepływomierza, wysunąć koszyczek i włożyć do niego dwie baterie alkaliczne AA zachowując prawidłową biegunowość. Następnie wsunąć koszyczek i założyć pokrywę. Pojemność dwóch baterii alkalicznych AA wystarcza na dwa lata normalnego użytkowania.



Przykładowe miejsce zamocowania wskaźnika

#### Programowanie monitorowania wydajności filtra

Wciśnij przycisk „PROG”, na wyświetlaczu LCD zacznie migać „PROG”. Następnie naciśnij „RESET”, aby wybrać odpowiednią wartość do zapisania prawej cyfry. Po wybraniu wartości naciśnij przycisk „PROG”, aby zapisać wartość i przejść do następnej cyfry. Powtórz powyższą procedurę, aby zaprogramować wartości dla pięciu cyfr od prawej do lewej. Maksymalna wartość monitorowania Flow Meter wynosi 99999 litrów. Zakończenie programowania licznik zasygnalizuje sygnałem dźwiękowym \* Jeżeli podczas programowania nie naciśniemy żadnego przycisku przez jedną minutę, procedura zostanie zakończona i licznik powróci do pierwotnego stanu.

Po wymianie wkładu filtrującego na nowy należy krótko nacisnąć przycisk RESET. Na wyświetlaczu pojawi się aktualny stan licznika. Następnie ponownie należy nacisnąć przycisk RESET przez ok. 5 sekund. Licznik rozpocznie monitorowanie wydajności nowego filtra.

#### Eksploatacja

Flow Meter automatycznie włącza się i wyświetla pozostałą pojemność, gdy woda przepływa przez czujnik i automatycznie wyłącza się po 10 sekundach, gdy woda nie płynie.

#### Alarm zużycia filtra

Flow Meter generuje alarm dźwiękowy, a cyfry na wyświetlaczu LCD migają, gdy pozostała pojemność osiągnie zero lub minus. Alarm generowany będzie za każdym razem, gdy przez czujnik będzie przepływała woda.

#### Resetowanie

Naciśnij przycisk „RESET” przez trzy sekundy, „RESET” na wyświetlaczu LCD zamiga dwa razy, a pozostała pojemność jest resetowana do oryginalnej wartości programowania.

#### Ostrzeżenie o wyczerpaniu baterii

Gdy poziom pojemności baterii jest niski, Flow Meter generuje alarm dźwiękowy, a w prawym górnym rogu wyświetlacza LCD pojawia się migający symbol pustej baterii. Alarm będzie anulowany, gdy baterie zostaną wymienione na nowe. Wymiana baterii nie powoduje utraty stanu licznika.

#### Dane techniczne miernika przepływu wody Flow Meter

Przepływ wody	0,2-5 l/min.
Pomiar przepływu wody	od 1-99999 litrów
Zasilanie	2 baterie alkaliczne AA
Przyłącze	wężyk 1/4"
Temperatura pracy	od 4 do 80°C
Ciśnienie robocze	maks. 8 barów
Waga	140 g
Dokładność	+/- 5%
Długość kabla elektrycznego do czujnika przepływu	1,5 metra
Powtarzalność systemu	1%

#### Zalecenia dotyczące utylizacji i ochrony środowiska



##### Zalecenia dotyczące utylizacji elektronicznego niezależnego wskaźnika wymiany filtra

Jeżeli urządzenie, opakowanie, instrukcja obsługi itp. zostały opatrzone symbolem przekreślonego kołowego kontenera na odpady oznacza to, że podlega selektywnej zbiórce zgodnie z Dyrektywą Parlamentu Europejskiego i Rady 2012/19/UE. Symbol przekreślonego kontenera umieszczony na urządzeniu, opakowaniu lub instrukcji informuje, że sprzęt elektryczny i elektroniczny po okresie użytkowania, nie może być wyrzucony wraz z innymi odpadami pochodzącymi z gospodarstwa domowego. Zabrania się likwidowania urządzenia jako mieszanych odpadów stałych, gdyż mogą być one szkodliwe dla środowiska. Użytkownik jest zobowiązany do oddania zużytego sprzętu prowadzącym punkty zbiórki zużytego sprzętu elektrycznego i elektronicznego. W przypadku niewłaściwej utylizacji tego produktu mogą zostać nałożone kary zgodnie z ustawodawstwem krajowym.



##### Utylizacja baterii

Produkt wymaga zastosowania baterii opisanych w treści dyrektywy 2006/66/WE, których nie można zutylizować z pozostałymi odpadami domowymi. Należy zapoznać się z lokalnymi przepisami dotyczącymi utylizacji baterii, ponieważ ich prawidłowa utylizacja pomaga zapobiegać zanieczyszczeniu środowiska naturalnego oraz utracie zdrowia.

##### Ochrona środowiska

Producent dołożył wszelkich starań, aby wyeliminować zbędne środki pakunkowe. Użyte środki pakunkowe można z grubsza podzielić na trzy grupy: tektura (karton), pianka polistyrenowa (boczne elementy ochronne) i polietylen (worki foliowe, folia ochronna). Urządzenie zbudowano z materiałów, które mogą zostać poddane utylizacji oraz ponownemu wykorzystaniu przez wyspecjalizowane przedsiębiorstwa. Prosimy zapoznać się z obowiązującymi lokalnie przepisami dotyczącymi utylizacji materiałów pakunkowych, rozładowanych baterii oraz zużytych urządzeń elektronicznych.

## Warunki gwarancji

Formaster S.A., przy ul. Fabrycznej 24, 25-818 Kielce, wpisana do rejestru przedsiębiorców Krajowego Rejestru Sądowego Rejestru Sądowego przez Sąd Rejonowy w Kielcach, Wydział X Gospodarczy KRS, pod numerem KRS 0000080942, NIP 9590122245, REGON 290670483, BDO 000000048, kapitał zakładowy: 9,313.000,00 złotych w całości opłacony, (zw. dalej „Gwarantem”) udziela gwarancji na System filtrujący Flow Comfort na zasadach i warunkach określonych w niniejszym dokumencie.

1. Niniejsza gwarancja dotyczy Systemu filtrującego Flow Comfort (dalej jako „Produkt”) zakupionego przez Klienta w sklepach na terytorium Rzeczypospolitej Polskiej. Gwarancja honorowana jest tylko na terenie Polski.
2. Produkt objęty jest gwarancją na defekty i wady fabryczne, która obowiązuje od dnia zakupu przez okres 24 miesięcy.
3. Gwarancja nie wyłącza, nie ogranicza ani nie zawieszają uprawnień Klienta, który jest konsumentem wynikających z przepisów o rękojmi za wady rzeczy sprzedanej.
4. Gwarancja zachowuje ważność wyłącznie wtedy, gdy Klient przestrzega wszystkich zaleceń podanych w instrukcji obsługi systemu.

## Realizacja zgłoszenia gwarancyjnego

1. Przed dostarczeniem Produktu do Punktu Serwisowego, Klient zobowiązany jest skontaktować się uprzednio z serwisem Formaster telefonicznie: bezpłatna infolinia **800 703 048** lub mailowo: **serwis@formaster.com**, celem uzyskania informacji na temat sposobu wysyłki/dostarczenia wadliwego Produktu.
2. Klient zobowiązany jest dostarczyć produkt bezpośrednio do Punktu Serwisowego na adres: Formaster S.A., ul. Fabryczna 24, 25-818 Kielce. Dostarczenie produktu do Punktu Serwisowego oraz jego zwrot na adres podany w zgłoszeniu reklamacyjnym odbywa się na koszt Gwaranta. Produkt powinien być zabezpieczony przez Klienta przed uszkodzeniem na czas trwania transportu do Punktu Serwisowego. Klient zobowiązany jest dołączyć do reklamowanego produktu dowód jego zakupu oraz zgłoszenie reklamacyjne. Zgłoszenie powinno zawierać dane takie jak: imię i nazwisko, numer telefonu, adres zwrotny, datę stwierdzenia wady, opis usterki oraz żądania Klienta.
3. Rozpatrzenie reklamacji nastąpi w terminie 10 dni roboczych od dnia dostarczenia Produktu do Punktu Serwisowego oraz zgłoszenia reklamacyjnego, zawierającego co najmniej informacje wskazane w pkt 2 powyżej. Formaster poinformuje Klienta o decyzji, jaką podjął w sprawie reklamacji za pośrednictwem poczty e-mail lub telefonicznie.
4. W przypadku pozytywnego rozpatrzenia reklamacji, tj. uwzględnienia jej zgodnie z żądaniem Klienta, naprawa bądź wymiana wadliwego produktu nastąpi w ciągu 10 dni roboczych od daty poinformowania Klienta o decyzji, o której mowa w pkt 3 powyżej.
5. Terminowości naprawy lub wymiany, o którym mowa powyżej, może ulec wydłużeniu w przypadku przestania przez Klienta zgłoszenia reklamacyjnego, nie zawierającego informacji wskazanych w pkt 2 powyżej, nieprzesłania przez Klienta dowodu zakupu Produktu oraz w innych uzasadnionych przypadkach lub w przypadku zaistnienia siły wyższej, tj. zdarzenia zewnętrznego, którego nie można przewidzieć, ani mu zapobiec środkami zwykłymi lub zabezpieczyć się przed nim.
6. W przypadku zaistnienia opóźnienia w naprawie lub wymianie, Formaster poinformuje o tym Klienta za pośrednictwem poczty e-mail lub telefonicznie.
7. Przez dzień roboczy, o którym mowa w niniejszym dokumencie należy rozumieć dzień kalendarzowy z wyłączeniem soboty, niedzieli oraz dni uznanych ustawowo za wolne od pracy zgodnie z prawem polskim.
8. Wszelkie wadliwe Produkty lub ich części, które zostały w ramach naprawy gwarancyjnej wymienione na nowe, stają się własnością Gwaranta.
9. W przypadku nieuznania reklamacji Produkt zostanie zwrócony Klientowi.
10. W przypadku wystąpienia usterek i wad fabrycznych Produktu, Klient zobowiązany jest do natychmiastowego powstrzymania się od używania uszkodzonego Produktu od chwili stwierdzenia wady.

## Gwarancja nie obejmuje:

- uszkodzeń/wad, które są skutkiem używania, konserwacji lub przechowywania niezgodne z instrukcją obsługi Produktu;
- uszkodzeń mechanicznych, termicznych, chemicznych, powstających (po wydaniu Produktu Klientowi) na skutek czynników zewnętrznych, tj. z przyczyn nietkwiących w Produkcie;
- uszkodzeń powstałych na skutek wcześniej stwierdzonych przez Klienta i nie usuniętych uszkodzeń;
- skutków napraw, przeróbek lub zmian konstrukcyjnych dokonanych przez podmioty inne niż Punkt Serwisowy;
- uszkodzeń powstałych na skutek nieprawidłowego montażu - niezgodnego z zaleceniami podanymi w instrukcji oraz montażu niewłaściwych części lub osprzętu przez podmioty inne niż Punkt Serwisowy;
- uszkodzeń powstałych (po wydaniu Produktu Klientowi) w wyniku zdarzeń losowych (np. powódź, pożar), a więc z innych przyczyn nie tkwiących w Produkcie;
- Produktu, jeśli wymienny wkład filtrujący, który stracił swoją zdolność filtracyjną nie został wymieniony w odpowiednim czasie.

## Gwarancja traci ważność, gdy:

- Punkt Serwisowy stwierdzi przeróbki bądź zmiany w konstrukcji dokonane przez podmioty inne niż Punkt Serwisowy;
- Punkt Serwisowy stwierdzi ingerencję mechaniczną Produktu dokonaną (po wydaniu Produktu Klientowi) przez podmiot inny niż Punkt Serwisowy;
- uszkodzenia powstały w wyniku wypadków opisanych w punkcie „Gwarancja nie obejmuje”.

## Dane osobowe:

Zgodnie z art. 13 ogólnego rozporządzenia o ochronie danych osobowych z dnia 27 kwietnia 2016 r. (Dz. Urz. UE L 119 z 04.05.2016) informuję, iż: Administratorem Pani/Pana danych osobowych jest Formaster S.A., ul. Fabryczna 24, 25 - 818 Kielce. Zasady przetwarzania danych osobowych Klientów zostały określone w Polityce prywatności dostępnej pod adresem <https://daf.pl/polityka-prywatnosci/>

Wszelkie pytania, uwagi bądź sugestie dotyczące powyższej gwarancji można kierować na e-mail: [serwis@formaster.com](mailto:serwis@formaster.com)

Postanowienia niniejszego Dokumentu obowiązują od dnia 27.09.2021 r. i dotyczą Produktu zakupionego od dnia 27.09.2021 r. Dokument może podlegać zmianom, przy czym, zmieniony Dokument będzie miał zastosowanie do Produktów zamówionych/zakupionych od dnia wejścia w życie zmian. Zmiana Dokumentu nie wywiera jakiegokolwiek wpływu na gwarancję udzieloną na Produkt przed dniem wejścia w życie zmienionego Dokumentu i prawa nabyte Klientów przed dniem wejścia w życie zmienionego Dokumentu.

- Die im Filtereinsatz enthaltenen Harz und Aktivkohle natürlichen Ursprungs sind hervorragend geeignet, die Härte des Leitungswassers zu reduzieren und den Gehalt an Chlor und anderen unerwünschten Stoffen zu senken. Das Wasser wird klar und ist für den direkten Verzehr und die Zubereitung von Getränken und Speisen auf der Basis dieses Wassers voll geeignet.
- Vor der Einstellung der Filtrationsstufe sollte die Härte des Leitungswassers mit einem Teststreifen bestimmt werden. Informationen über die Härte werden auch von örtlichen Wasserversorgungsunternehmen bereitgestellt.
- Zur Einstellung der Karbonathärtereduktion muss die Position (Drehung) des Filtereinsatzes im Verhältnis zum Kopf entsprechend den Markierungen eingestellt werden. Die Einstellwerte, die Filterleistung und die Lebensdauer hängen von örtlichen Wassereigenschaften und dem Zustand der Wasseranlage ab.
- Der Wechsel des Filtereinsatzes und die Einstellung der Stufe der Karbonathärtereduktion ist intuitiv und erfordert kein zusätzliches Werkzeug.
- Die Komponenten des Systems sind für den Einbau in einen Spülenschrank geeignet.
- Das Filtersystem besteht aus Materialien, die für den Kontakt mit Lebensmitteln zugelassen sind. Das System verfügt über alle erforderlichen Hygienezertifikate.
- Teil des Flow Comfort-Systems ist der elektronische Wasserdurchflussmesser Flow Meter, der daran erinnert, wann der Filtereinsatz ausgetauscht werden muss.

Gebrauchssicherheit – wichtige Informationen

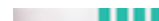
- Das Filtersystem für Leitungswasser sollte an einen kalten Trinkwasseranschluss angeschlossen werden und nicht für Wasser verwendet werden, das nicht auf seine Trinkbarkeit geprüft wurde.
- Vor dem Filter sollte ein Absperrventil installiert werden. Das im Set enthaltene T-Stück verfügt über ein eingebautes Absperrventil. Wenn der Wasserdruck höher als der Nenndruck ist, sollte ein Reduzierventil installiert werden.
- Bestimmte Personengruppen, z. B. Personen mit Nierenerkrankungen oder einem geschwächten Immunsystem, sollten einen Spezialisten und/oder Arzt über die Möglichkeit und die Art der Verwendung des Filters befragen.
- Es wird empfohlen, das Filtersystem nicht über einen längeren Zeitraum unbenutzt zu lassen. Wenn das System 2-3 Tage lang nicht benutzt wurde, empfiehlt es sich, es mit 2 Litern Wasser zu spülen. Wenn es länger als einen Monat nicht benutzt wurde, sollte es mit 20 Litern Wasser gespült werden.
- Gefiltertes Wasser bleibt 1-2 Tage lang trinkbar (je nach Lagerungsbedingungen).
- Aufgrund der Möglichkeit einer Sekundärkontamination in der Wasseranlage ist das System gemäß EN 1717 in die Kategorie 2 eingestuft.
- Der Filtereinsatz und der Kopf sollten vor übermäßiger Hitze und Sonnenlicht geschützt werden.
- Der werkseitig verpackte PERFECT -Filtereinsatz ist ab dem Herstellungsdatum 5 Jahre lang verwendbar.
- Der Filtereinsatz ist für Anlagen mit einem G3/8"-Gewinde geeignet.

Technische Daten des Filtersystems

Betriebsdruck	0,08 - 0,6 MPa (0,8 - 6 bar)	
Maximaler Betriebsdruck (Druckminderer oben verwenden)	0,8 Mpa (8 bar <sub>0</sub> w)	
Wassertemperatur Zulauf	von 4°C bis 30°C	
Umgebungstemperatur bei Lagerung und Transport	von -15°C bis 40°C	
Wasserdurchfluss (Durchschnittswerte für alle Einstellungen A,B,C,D)	Druck in der Wasseranlage	1,6 l/min   0,1 MPa (1 bar)
		2,5 l/min   0,2 MPa (2 bar)
		3,7 l/min   0,3 MPa (3 bar)
		4,3 l/min   0,4 MPa (4 bar)
Einbaulage	Vertikal	
Wasseranschluss – Zulauf und Ablauf	Schlauch ¼ " (6,3 mm)	
Gewicht des Filtereinsatzes (nass/trocken)	1735 g/1115 g	
Abmessungen des Filters mit Kopf und Griff	110x110x290 mm	

Inhalt der Verpackung

- |  |   |   |  |                                |                              |
|--|---|---|--|--------------------------------|------------------------------|
| PERFECT Filtereinsatz, der den Geschmack des Leitungswassers verbessert und seine übermäßige Härte reduziert | Filtereinsatz-Kopf mit vierstufiger Einstellung zur Anpassung des Systembetriebs an die Wasserhärte | Halterung und Schrauben für die Wandmontage | Elektronischer Wasserdurchflussmesser Flow Meter | T-Stück und flexibler Schlauch | Teststreifen für Wasserhärte |
|--|---|---|--|--------------------------------|------------------------------|



Hinweise vor der Montage

- Überprüfen Sie vor der Installation der Systemkomponenten die Anschlusskomponenten auf Anzeichen von Beschädigungen und Verkalkungen. Falls erforderlich, reinigen oder ersetzen Sie die Komponenten.
- Die Installation des Flow Comfort-Filtersystems muss in Übereinstimmung mit den geltenden Vorschriften für Trinkwasseranlagen durchgeführt werden.

Einbau des Filtereinsatz-Kopfes

- 1 Unmittelbar vor der Befestigung des Kopfes an dem Filtereinsatz muss die Schutzabdeckung entfernt werden. Verfahren zum Entfernen der Schutzabdeckung:



Ziehen Sie den Schutz ab.



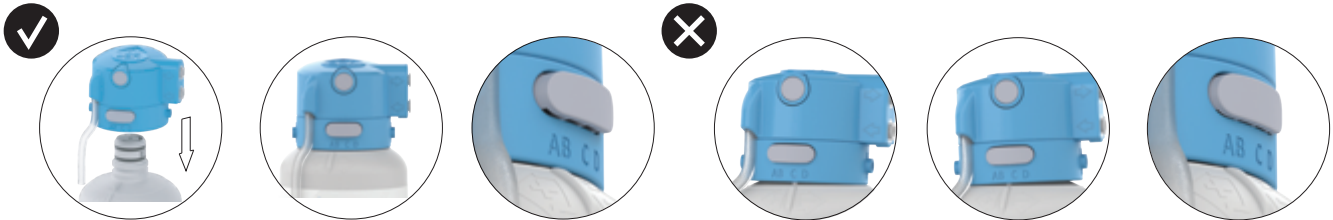
Entfernen Sie die Abdeckung.



Abb. 1

- Drücken Sie den Kopf kräftig auf den Filtereinsatz, wobei Sie die gesamte Fläche gleichmäßig andrücken, so dass kein Spalt zwischen dem Filter und dem Kopf vorhanden ist. Beim Aufsetzen des Kopfes empfehlen wir, den Filtereinsatz auf einen stabilen Untergrund zu stellen, z. B. auf den Boden eines Schrankes oder auf den Fußboden. Achten Sie darauf, dass der Verriegelungsknopf so weit herausgezogen ist, wie er war, bevor der Kopf mit dem Filter verbunden wurde (Abb. 1). Die durch die Pfeile auf dem Filtereinsatz markierte Position muss den ABCD-Markierungen auf dem Kopf gegenüberliegen.

Der Entlüftungsschlauch, der Teil des Kopfes ist, sollte frei und außerhalb des Kopfes verlegt werden.



#### Anschluss des Filtersystems an die Wasseranlage

- Trennen Sie den flexiblen Schlauch in zwei Teile, von denen der eine an das Wasserleitungsnetz und der andere an den Dreiwegehahn angeschlossen werden soll. Denken Sie daran, den Schlauch im rechten Winkel abzuschneiden.
- Das Filtersystem wird mit 1/4" (6,3 mm) Wasserschläuchen an die Wasseranlage angeschlossen, die bis zum Anschlag in die Schnellkupplungen im Kopf eingeführt werden.
- Die Stellen, an denen die Wasserschläuche angebracht werden, sind auf dem Kopf mit Pfeilen markiert, die den Wasserzulauf und -ablauf zeigen.
- Je nach Art und Größe des Kaltwasseranschlusses gibt es mehrere Möglichkeiten, den Zulaufschlauch zu installieren.

Zum Anschluss des Zulaufschlauchs an den Wasserzulauf verwenden Sie das T-Stück, das für 1/4"-Wasserschläuche (6,3 mm) geeignet ist.

Abgewinkeltes Absperrventil mit Rückschlagventil, G3/8"-Gewinde und Schnellkupplung für 1/4"-Wasserschlauch

- ermöglicht den Anschluss eines 1/4"-Wasserschlauchs an der Anschlussstelle des flexiblen Schlauchs des Wasserhahns an einen Kaltwasserzulauf
- hat einen Rückflussverhinderer
- die Schnellkupplung macht den Anschluss eines 1/4"-Schlauches schnell und einfach

#### Montage der Wandhalterung

- Der Filter kann entweder frei auf dem Boden stehen oder an der Wandhalterung aufgehängt werden, so dass die Schläuche frei liegen.
- Die Wandhalterung wird mit zwei Schrauben befestigt, die für die Art der Wand geeignet sind, z.B. für Möbelspanplatten -- Schrauben 3,5 Pz. Die Halterung sollte so montiert werden, dass ausreichend Platz für den Filtereinsatz in vertikaler Position vorhanden ist.



1. Montageart



2. Montageart

#### Befestigung des Kopfes mit dem Filtereinsatz an der Halterung

- Schieben Sie den Haken des Kopfes in das Loch der Halterung auf der rechten Seite.



- Schwenken Sie den gegenüberliegenden Arm der Halterung leicht und befestigen Sie den Kopf, indem Sie den Haken in das Loch drücken.



- Prüfen Sie, ob der Kopf fest in der Halterung sitzt.



Die angegebenen Leistungen sind Maximalwerte, die aufgrund der Qualität des gefilterten Wassers nicht überschritten werden sollten. Die tatsächliche Leistung hängt in hohem Maße von den Parametern des Wassers ab, das in den Filter gelangt.

#### Inbetriebnahme des Systems

- Vergewissern Sie sich vor dem Öffnen der Wasserzufuhr, dass alle Installationsschritte korrekt ausgeführt und alle Systemkomponenten richtig montiert wurden.
- Drehen Sie den Wasserhahn für das gefilterte Wasser ab.
- Öffnen Sie die Wasserzufuhr, prüfen Sie auf Dichtheit und lassen Sie das Wasser laufen, bis es klar und blasenfrei ist.

#### Prüfung der Wasserhärte

- Bevor Sie die Stufe der Wasserhärtereduktion einstellen, bestimmen Sie die Karbonathärte des Leitungswassers mit dem mitgelieferten Teststreifen. Informationen über den Härtegrad des Wassers werden von den örtlichen Wasserversorgungsunternehmen bereitgestellt.
- Tauchen Sie alle Reaktionsfelder des Teststreifens für 1 Sekunde in ein Glas mit ungefiltertem kaltem Wasser ein.
- Schütteln Sie das überschüssige Wasser vom Streifen ab.
- Überprüfen Sie nach 60 Sekunden die Anzahl der Felder, deren Farbe von grün nach rosa gewechselt hat, und passen Sie die Kopfeinstellung gemäß Tabelle 1 an.

## Auswahl der Einstellung der Wasserhärterereduktion

Durch Drehen des Filtereinsatzes im Verhältnis zum Kopf kann die optimale Stufe der Wasserhärterereduktion eingestellt werden. Die entsprechende Einstellung ist in Tabelle 1 angegeben

A ←  
Höhere Enthärtung



→ D  
Niedrigere Enthärtung

Tabelle 1		Karbonathärte des Wassers		Einstellung der Karbonathärte-Reduktionsstufe des Wassers	Leistung für D1-Filtereinsatz in Litern
Ergebnis des Wasserhärte-tests	Ergebnis des Wasserhärte-tests	CaCO <sub>3</sub> mg/l (Milligramm pro Liter)			
	Hartes und sehr hartes Wasser über 14	über 250		400	
	Mittelhartes Wasser von 8 bis 14	von 140 bis 250		600	
	Weiches Wasser von 4 bis 8	von 70 bis 140		1100	
	Sehr weiches Wasser unter 4	unter 70		1500	

Die angegebenen Leistungen sind Maximalwerte, die aufgrund der Qualität des gefilterten Wassers nicht überschritten werden sollten. Die tatsächliche Leistung hängt in hohem Maße von den Parametern des Wassers ab, das in den Filter gelangt

### Austausch des PERFECT-Filtereinsatzes

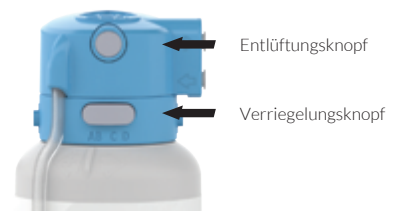
- Der Filtereinsatz sollte ausgetauscht werden, wenn einer der folgenden Fälle eintritt:
- Der Geschmack oder Geruch des gefilterten Wassers verschlechtert sich.
- Die vom Hersteller angegebene Leistung ist erreicht (siehe Tabelle 1).
- Seit der Installation des Filters sind 12 Monate vergangen.
- Es kommt zu einem deutlich spürbaren Druckabfall des ablaufenden Wassers, unabhängig vom Druckabfall in der Wasseranlage.
- Die Anzeige signalisiert die Nutzungsdauer, nach der die Filtrationsleistung abnimmt.

### Achtung!

Wenn das Produkt bei Temperaturen unter 4°C gelagert oder transportiert wurde, belassen Sie es vor der Installation mindestens 24 Stunden lang bei Raumtemperatur in der geöffneten Verpackung.

### Anweisungen zum Austausch des Filtereinsatzes

- Schließen Sie die Wasserzufuhr zum System.
- Stellen Sie einen Auffangbehälter unter den Schlauch und den Filter und drücken Sie den runden Entlüftungsknopf und lassen Sie ihn los, um den Druck im System zu reduzieren.
- **Nehmen Sie den Kopf mit dem Filtereinsatz aus der Halterung.**
- Drücken Sie den länglichen Verriegelungsknopf des Filtereinsatzes und ziehen Sie den Einsatz heraus. Wenn sich der Einsatz nur schwer herausnehmen lässt, drehen Sie ihn kräftig nach rechts oder links und ziehen Sie ihn heraus.
- Nehmen Sie den Halsschutz vom neuen Filtereinsatz ab. Der Schutz kann über den gebrauchten Filter angebracht werden, damit kein Wasser aus ihm herausfließt.
- Gehen Sie dann genauso vor wie beim Aufsetzen des Kopfes auf den neuen Filtereinsatz (siehe Seite 11) und nehmen Sie das Gerät gemäß den Anweisungen auf Seite 12 in Betrieb. **Öffnen Sie die Wasserzufuhr, prüfen Sie auf Dichtheit.**
- Der Filterkopf ist mit einem Überflutungsschutz ausgestattet: Ohne Filtereinsatz fließt kein Wasser durch den Kopf oder aus ihm heraus.



### Wartung

- Prüfen Sie regelmäßig, ob das System dicht ist und ob die Schläuche nicht geknickt sind. Geknickte Schläuche sollten sofort ausgetauscht werden.
- Verwenden Sie keine aggressiven Reinigungsmittel, Scheuermittel oder Reinigungslösungen.

### Elektronischer Wasserdurchflussmesser

Der elektronische Wasserdurchflussmesser misst die Menge des gefilterten Wassers.

DIE MONTAGE DES SENSORS WIRD VON EINEM INSTALLATEUR DURCHGEFÜHRT

### Installation von Versorgungsbatterien

Schieben Sie den Deckel des Batteriefachs seitlich vom Gehäuse des Durchflussmessers ab, ziehen Sie den Korb heraus und legen Sie zwei AA-Alkalibatterien ein, wobei Sie auf die richtige Polarität achten müssen. Setzen Sie dann den Korb ein und schließen Sie den Deckel wieder. Die Kapazität von zwei AA-Alkalibatterien reicht für zwei Jahre normalen Gebrauch.



Beispiel für die Montage der Anzeige

## Programmierung der Filterleistungsüberwachung

Drücken Sie die "PROG"-Taste, "PROG" blinkt auf der LCD-Anzeige. Drücken Sie dann "RESET", um den entsprechenden Wert auszuwählen und die rechte Stelle zu speichern. Sobald der Wert ausgewählt ist, drücken Sie die "PROG"-Taste, um den Wert zu speichern und zur nächsten Stelle zu gelangen. Wiederholen Sie das obige Verfahren, um Werte für fünf Stellen von rechts nach links zu programmieren. Der maximale Überwachungswert des Durchflussmessers Flow Meter beträgt 99999 Liter. Der Zähler signalisiert den Abschluss der Programmierung durch ein akustisches Signal \* Wenn während der Programmierung eine Minute lang keine Taste gedrückt wird, ist der Vorgang abgeschlossen und der Zähler kehrt in seinen ursprünglichen Zustand zurück.

Nach dem Ersetzen des Filtereinsatzes durch einen neuen drücken Sie kurz die RESET-Taste. Auf der Anzeige wird der aktuelle Stand des Zählers angezeigt. Drücken Sie dann die RESET-Taste erneut für ca. 5 Sekunden. Der Zähler beginnt mit der Überwachung der Leistung des neuen Filters.

## Betrieb

Der Durchflussmesser Flow Meter schaltet sich automatisch ein und zeigt die verbleibende Kapazität an, wenn Wasser durch den Sensor fließt, und schaltet sich automatisch nach 10 Sekunden ab, wenn kein Wasser fließt.

## Alarm bei Filterverschleiß

Der Durchflussmesser Flow Meter gibt einen akustischen Alarm aus und die Stellen auf der LCD-Anzeige blinken, wenn die verbleibende Kapazität Null oder Minus erreicht. Der Alarm wird jedes Mal ausgelöst, wenn Wasser durch den Sensor fließt.

## Zurücksetzen

Drücken Sie die "RESET"-Taste für drei Sekunden, "RESET" auf der LCD-Anzeige blinkt zweimal und die verbleibende Kapazität wird auf den ursprünglichen Programmierwert zurückgesetzt.

## Warnung bei niedrigem Batteriestand

Bei niedrigem Batteriestand gibt der Durchflussmesser Flow Meter einen akustischen Alarm aus und in der oberen rechten Ecke der LCD-Anzeige erscheint ein blinkendes Symbol für leere Batterie. Der Alarm wird aufgehoben, wenn die Batterien durch neue ausgetauscht werden. Der Austausch der Batterien hat nicht zur Folge, dass der Stand des Zählers verloren geht

## Technische Daten des Durchflussmessers Flow Meter

Wasserdurchfluss	0,2-5 l/min
Messung des Wasserdurchflusses	von 1-99999 Liter
Stromversorgung	2 AA-Alkalibatterien
Anschluss	1/4"-Schlauch
Betriebstemperatur	von 4 bis 80°C
Betriebsdruck	max 8 bar
Gewicht	140 g
Genauigkeit	+/- 5%
Länge des Elektrokabels zum Durchflusssensor	1,5 Meter
Wiederholbarkeit des Systems	1 %

## Empfehlungen zur Entsorgung und zum Umweltschutz



### Empfehlungen zur Entsorgung der elektronischen unabhängigen Filterwechselanzeige

Wenn das Gerät, die Verpackung, die Gebrauchsanweisung usw. das Symbol der durchgestrichenen Abfalltonne auf Rädern tragen, bedeutet dies, dass sie gemäß der Richtlinie 2012/19/EU des Europäischen Parlaments und des Rates getrennt gesammelt werden müssen. Das Symbol der durchgestrichenen Abfalltonne auf Rädern, der Verpackung oder der Gebrauchsanweisung weist darauf hin, dass das Elektro- und Elektronikgerät nach Ablauf seiner Nutzungsdauer nicht mit dem übrigen Hausmüll entsorgt werden darf. Es ist verboten, das Gerät als gemischten Abfall zu entsorgen, da dies für die Umwelt schädlich sein kann. Der Benutzer ist verpflichtet, das Altgerät bei einer Sammelstelle für Elektro- und Elektronik-Altgeräte abzugeben. Im Falle einer unsachgemäßen Entsorgung dieses Produkts können gemäß der nationalen Gesetzgebung Strafen verhängt werden.



### Entsorgung von Batterien

Das Produkt erfordert die Verwendung von Batterien, wie im Wortlaut der Richtlinie 2006/66/EG beschrieben, die nicht über den Hausmüll entsorgt werden dürfen. Bitte beachten Sie die örtlichen Vorschriften für die Entsorgung von Batterien, da deren korrekte Entsorgung dazu beiträgt, Umweltverschmutzung und Gesundheitsschäden zu vermeiden.

### Umweltschutz

Der Hersteller hat alle Anstrengungen unternommen, um unnötiges Verpackungsmaterial zu vermeiden. Das verwendete Verpackungsmaterial lässt sich grob in drei Gruppen einteilen: Pappe (Karton), Polystyrolschaum (Seitenschutzelemente) und Polyethylen (Folienbeutel, Schutzfolie). Das Gerät ist aus Materialien hergestellt, die von spezialisierten Unternehmen recycelt und wiederverwendet werden können. Bitte beachten Sie die örtlichen Vorschriften für die Entsorgung von Verpackungsmaterial, leeren Batterien und elektronischen Altgeräten.

## Übersetzung der DAFI-Garantiebedingungen

### Garantiebedingungen

Formaster S.A., mit Sitz in der Fabryczna-Straße 24, 25-818 Kielce, eingetragen im Unternehmerregister des Landesgerichtsregisters durch das Amtsgericht in Kielce, Abteilung X für Wirtschaftssachen des Landesgerichtsregisters, unter der Nummer KRS 0000080942, NIP 9590122245, REGON 290670483, BDO 000000048, Stammkapital: 9.313.000,00 PLN, vollständig eingezahlt, (im Folgenden „Garant“ genannt) gewährt eine Garantie für das Filtersystem Flow Comfort zu den in diesem Dokument festgelegten Bedingungen.

1. Diese Garantie gilt für das Filtersystem Flow Comfort (im Folgenden als „Produkt“ bezeichnet), das vom Kunden in Geschäften auf dem Gebiet der Republik Polen gekauft wurde. Die Garantie gilt nur auf dem Gebiet Polens.
2. Das Produkt unterliegt einer Garantie für Mängel und Fabrikationsfehler, die ab dem Kaufdatum für einen Zeitraum von 24 Monaten gilt.
3. Die Garantie schließt die Rechte des Kunden, der Verbraucher ist, gemäß den Bestimmungen über die Gewährleistung für Mängel der verkauften Ware nicht aus, schränkt sie nicht ein und setzt sie nicht außer Kraft.
4. Die Garantie bleibt nur dann gültig, wenn der Kunde alle in der Bedienungsanleitung des Systems angegebenen Empfehlungen befolgt.

### Bearbeitung von Garantieansprüchen

1. Vor der Lieferung des Produkts an die Servicestelle ist der Kunde verpflichtet, sich zuvor telefonisch mit dem Formaster-Kundendienst in Verbindung zu setzen: kostenlose Hotline 800 703 048 oder per E-Mail: [serwis@formaster.com](mailto:serwis@formaster.com), um Informationen über die Art und Weise des Versands/der Lieferung des defekten Produkts zu erhalten.
2. Der Kunde ist verpflichtet, das Produkt direkt an die Servicestelle unter der Adresse: Formaster S.A., ul. Fabryczna 24, 25-818 Kielce, zu liefern. Die Lieferung des Produkts an die Servicestelle und seine Rücksendung an die in der Reklamation angegebene Adresse erfolgt auf Kosten des Garantiegebers. Das Produkt sollte vom Kunden für die Dauer des Transports zum Servicepunkt vor Beschädigungen geschützt werden. Der Kunde ist verpflichtet, dem reklamierten Produkt einen Kaufbeleg und eine Reklamationsmeldung beizufügen. Die Meldung sollte folgende Angaben enthalten: Vor- und Nachname, Telefonnummer, Rücksendeadresse, Datum der Feststellung des Mangels, Beschreibung des Mangels und Forderungen des Kunden.
3. Die Bearbeitung der Reklamation erfolgt innerhalb von 10 Werktagen ab dem Tag der Lieferung des Produkts an die Servicestelle und der Reklamationsmeldung, die mindestens die in Punkt 2 oben genannten Informationen enthält. Formaster informiert den Kunden per E-Mail oder Telefon über die Entscheidung, die es bezüglich der Reklamation getroffen hat.
4. Wird die Reklamation positiv beschieden, d. h. gemäß dem Wunsch des Kunden berücksichtigt, erfolgt die Reparatur oder der Austausch des fehlerhaften Produkts innerhalb von 10 Werktagen ab dem Datum, an dem der Kunde über die in Punkt 3 oben genannte Entscheidung informiert wurde.
5. Die oben genannte Frist für die Reparatur oder den Austausch kann sich verlängern, wenn der Kunde eine Reklamation einreicht, die nicht die in Punkt 2 oben genannten Informationen enthält, wenn der Kunde keinen Kaufbeleg für das Produkt vorlegt und in anderen begründeten Fällen oder im Falle höherer Gewalt, d. h. eines externen Ereignisses, das nicht vorhersehbar ist und mit üblichen Mitteln nicht verhindert oder abgesichert werden kann.
6. Im Falle einer Verzögerung bei der Reparatur oder dem Austausch informiert Formaster den Kunden per E-Mail oder Telefon.
7. Unter einem Arbeitstag im Sinne dieses Dokuments ist ein Kalendertag zu verstehen, mit Ausnahme von Samstagen, Sonntagen und Tagen, die nach polnischem Recht als gesetzliche Feiertage gelten.
8. Alle fehlerhaften Produkte oder Teile davon, die im Rahmen der Garantiereparatur durch neue ersetzt wurden, gehen in das Eigentum des Garantiegebers über.
9. Wird die Reklamation nicht anerkannt, wird das Produkt an den Kunden zurückgesandt.
10. Bei Auftreten von Mängeln und Fabrikationsfehlern des Produkts ist der Kunde verpflichtet, die Verwendung des beschädigten Produkts ab dem Zeitpunkt der Feststellung des Mangels unverzüglich einzustellen.

### Die Garantie umfasst nicht:

- Schäden/Mängel, die auf eine nicht den Gebrauchsanweisungen des Produkts entsprechende Verwendung, Wartung oder Lagerung zurückzuführen sind;
- mechanische, thermische oder chemische Schäden, die (nach Auslieferung des Produkts an den Kunden) durch äußere Einflüsse entstanden sind, d. h. aus Gründen, die nicht im Produkt selbst liegen;
- Schäden, die durch zuvor vom Kunden festgestellte und nicht behobene Schäden entstanden sind;
- Folgen von Reparaturen, Umbauten oder konstruktiven Änderungen, die von anderen Stellen als die Servicestelle durchgeführt wurden;
- Schäden, die durch unsachgemäße Montage entstanden sind – nicht gemäß den Anweisungen in der Anleitung – und durch die Montage ungeeigneter Teile oder Zubehörteile durch andere Stellen als die Servicestelle;
- Schäden, die (nach Auslieferung des Produkts an den Kunden) durch zufällige Ereignisse (z. B. Überschwemmung, Brand) und somit aus anderen Gründen entstanden sind, die nicht mit dem Produkt zusammenhängen;
- das Produkt, wenn der austauschbare Filter, der seine Filterleistung verloren hat, nicht rechtzeitig ausgetauscht wurde.

### Die Garantie erlischt, wenn:

- der Servicestelle Umbauten oder Änderungen an der Konstruktion durch andere Stellen als die Servicestelle feststellt;
- die Servicestelle eine mechanische Manipulation des Produkts (nach Auslieferung des Produkts an den Kunden) durch eine andere Stelle als die Servicestelle feststellt;
- die Schäden durch Unfälle entstanden sind, die unter „Die Garantie umfasst nicht“ beschrieben sind.

### Personenbezogene Daten:

Gemäß Art. 13 der Datenschutz-Grundverordnung vom 27. April 2016 (Amtsblatt der EU L 119 vom 04.05.2016) teile ich Ihnen mit, dass: Der Verantwortliche für Ihre personenbezogenen Daten ist Formaster S.A., ul. Fabryczna 24, 25 – 818 Kielce.

Die Grundsätze der Verarbeitung personenbezogener Daten von Kunden sind in der Datenschutzerklärung unter <https://dafi.pl/polityka-prywatnosci/> festgelegt. Alle Fragen, Anmerkungen oder Vorschläge zur oben genannten Garantie können per E-Mail an [serwis@formaster.com](mailto:serwis@formaster.com) gerichtet werden.

Die Bestimmungen dieses Dokuments gelten ab dem 27.09.2021 und beziehen sich auf Produkte, die ab dem 27.09.2021 gekauft wurden. Das Dokument kann Änderungen unterliegen, wobei das geänderte Dokument für Produkte gilt, die ab dem Datum des Inkrafttretens der Änderungen bestellt/gekauft wurden. Die Änderung des Dokuments hat keinerlei Auswirkungen auf die vor Inkrafttreten des geänderten Dokuments für das Produkt gewährte Garantie und die vor Inkrafttreten des geänderten Dokuments erworbenen Rechte der Kunden.

- Les dépôts de résine et de charbon actif d'origine naturelle contenus dans la cartouche filtrante réduisent parfaitement la dureté de l'eau du robinet et réduisent la teneur en chlore et autres substances indésirables. L'eau devient claire et parfaitement adaptée à la consommation directe et à la préparation de boissons et de plats à base de celle-ci.
- Le réglage du niveau de filtration doit être précédé de la détermination de la dureté de l'eau du robinet à l'aide d'une bandelette de test. Les informations sur la dureté sont également disponibles auprès des entreprises locales de distribution d'eau
- Le réglage du niveau de réduction de la dureté carbonatée consiste à régler la position (rotation) de la cartouche filtrante par rapport à la tête selon les repères marqués. Les réglages, les performances et la durée de vie du filtre dépendent des propriétés locales de l'eau ainsi que de l'état du système d'eau.
- Le remplacement de la cartouche filtrante et le réglage du niveau de réduction de la dureté carbonatée sont intuitifs et ne nécessitent aucun outil supplémentaire.
- Les éléments du système sont adaptés pour être installés dans le meuble de l'évier.
- Le système de filtrage utilise des matériaux admis pour un contact avec les aliments. Le système possède les attestations hygiéniques appropriées.
- Le système Flow Comfort comprend un débitmètre électronique qui vous rappelle qu'il est temps de remplacer la cartouche filtrante.

## Sécurité d'utilisation - informations importantes

- Le système de filtration de l'eau du robinet doit être installé sur le branchement d'eau potable froide. Ne pas utiliser avec de l'eau non testée.
- Une vanne d'arrêt doit être installée en amont du filtre. La vanne d'arrêt est intégrée au té fourni dans l'ensemble.
- Si la pression de l'eau est supérieure à la pression nominale, un réducteur doit être installé.
- Certains groupes de personnes, par exemple les personnes souffrant de maladies rénales ou d'un système immunitaire affaibli, devraient consulter un spécialiste et/ou un médecin au sujet de la possibilité et de l'utilisation du filtre.
- Il est recommandé de ne pas laisser le système de filtration inutilisé pendant de longues périodes. Si le système n'est pas utilisé pendant 2 ou 3 jours, il est recommandé de le rincer avec 2 litres d'eau. S'il n'a pas été utilisé pendant plus d'un mois, il doit être rincé avec 20 litres d'eau.
- L'eau filtrée reste potable pendant 1 à 2 jours (selon les conditions de stockage).
- En raison de la possibilité de contamination secondaire dans le système d'eau, le système est classé dans la catégorie 2 selon la norme PN-EN 1717.
- La cartouche filtrante et la tête doivent être protégées de la chaleur excessive et de la lumière du soleil.
- La cartouche filtrante PERFECT emballée en usine est utilisable pendant 5 ans à compter de la date de fabrication.
- La cartouche filtrante est adaptée aux installations avec filetage G3/8".

## Caractéristiques techniques du système de filtration

Pression de fonctionnement	0,08 - 0,6 MPa (0,8 - 6 bar)		
Pression de travail maximale (au-dessus utiliser un réducteur de pression)	0,8 Mpa (8 bar)		
Température de l'eau d'entrée	4°C à 30°C		
Température ambiante pendant le stockage et le transport	-15°C à 40°C		
Débit d'eau (valeurs moyennes pour tous les réglages A,B,C,D)	Pression dans le réseau de distribution d'eau	1,6 l/min	0,1 MPa (1 bar)
		2,5 l/min	0,2 MPa (2 bar)
		3,7 l/min	0,3 MPa (3 bar)
		4,3 l/min	0,4 MPa (4 bar)
Position de montage	Verticale		
Raccordement de l'eau - entrée et sortie	Tuyau ¼" (6,3 mm)		
Poids de la cartouche filtrante (humide/sèche)	1735 g/1115 g		
Dimensions du filtre avec tête et poignée	110x110x290 mm		

## Contenu de l'emballage

Cartouche filtrante PERFECT, améliorant le goût de l'eau du robinet et réduisant sa dureté excessive



Tête de cartouche filtrante à quatre niveaux de réglage pour adapter le fonctionnement du système à la dureté de l'eau



Support et vis pour une fixation sur le mur



Compteur électronique débit d'eau Flow Meter



Té souple tuyau



Bandelette d'analyse de la dureté de l'eau



## Remarques avant le montage

- Avant d'installer les composants du système, vérifiez si les éléments de connexion ne présentent aucun signe de dommage et ne sont pas entartrés. Nettoyez ou remplacez les composants si nécessaire.
- Les installations du système de filtration Flow Comfort doivent être réalisées conformément à la réglementation en vigueur pour les installations d'eau potable.

## Installation de la tête sur la cartouche filtrante

- 1 Immédiatement avant de fixer la tête sur la cartouche filtrante, retirez le couvercle de protection.  
Méthode de retrait du couvercle de protection:



Retirez la protection



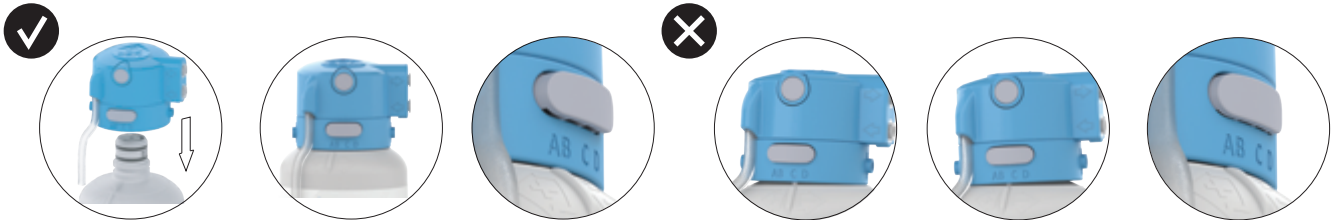
Retirez le couvercle



Fig. 1

- 2 Insérez la tête sur la cartouche filtrante avec un mouvement ferme, en appuyant uniformément sur toute la surface afin qu'il n'y ait pas d'espace entre le filtre et la tête. Lors de l'installation de la tête, nous recommandons de placer la cartouche sur une surface stable, par exemple au fond d'un meuble ou sur le sol. Assurez-vous que le bouton de verrouillage est aussi avancé qu'avant de connecter la tête au filtre. (Fig. 1) L'emplacement marqué par les flèches sur la cartouche doit être aligné avec les marques ABCD sur la tête.

Le tuyau d'évent, qui fait partie de la tête, doit être acheminé librement et situé à l'extérieur de la tête.



#### Raccordement du système de filtration au système d'eau

- Divisez le tuyau flexible en deux parties - une pour l'installation sur le réseau d'eau et l'autre pour le robinet à trois voies. N'oubliez pas de couper le tuyau à angle droit.
- Le système de filtration est connecté au système d'eau à l'aide de tuyaux de 1/4" (6,3 mm), en les insérant aussi loin que possible dans les raccords rapides situés dans la tête.
- Les emplacements des tuyaux sont marqués sur la tête avec des flèches indiquant l'entrée et la sortie de l'eau.
- Selon le type et la taille du raccordement d'eau potable froide, il existe plusieurs façons d'installer le tuyau d'arrivée.

Pour raccorder le tuyau d'arrivée d'eau à la prise d'eau, utilisez un té adapté aux tuyaux de 1/4" (6,3 mm).

Vanne d'arrêt soudée avec clapet anti-retour, filetage G3/8" et raccord rapide pour flexible 1/4".

- permet de brancher le flexible 1/4" à l'endroit où le flexible du robinet est relié à l'arrivée d'eau froide
- possède une protection contre le reflux du filtre
- le raccord rapide permet de connecter le tuyau 1/4" rapidement et facilement

#### Installation du support mural

- Le filtre peut reposer librement sur le sol en position verticale ou être suspendu à un support mural de manière à ce que les tuyaux soient desserrés.
- Le support mural est installé à l'aide de deux vis choisies de manière appropriée pour le type de mur, par exemple sur un panneau de particules de meuble - vis 3,5 Pz. Le support doit être installé de manière à laisser suffisamment d'espace pour la cartouche filtrante en position verticale.



Méthode 1



Méthode 2

#### Fixation de la tête avec la cartouche filtrante au support de fixation

- 1 Insérez le loquet de la tête dans le trou du support de fixation du côté droit.
- 2 Inclinez légèrement le bras opposé du support de fixation et fixez la tête en appuyant sur le crochet dans le trou.
- 3 Vérifiez que la tête est bien en place dans le support de fixation.



Les capacités indiquées sont des valeurs maximales à ne pas dépasser en raison de la qualité de l'eau filtrée. L'efficacité réelle, dans une très large mesure, dépend des paramètres de l'eau entrant dans le filtre.

#### Démarrage du système

- 1 Avant d'ouvrir l'alimentation en eau, assurez-vous que toutes les étapes d'installation ont été effectuées correctement et que tous les composants du système ont été correctement installés.
- 2 Ouvrez le robinet d'eau filtrée.
- 3 Ouvrez l'alimentation en eau, vérifiez s'il y a des fuites et faites couler l'eau jusqu'à ce qu'elle soit claire et sans bulles d'air.

#### Analyse de la dureté de l'eau

- Avant de régler le niveau de réduction de la dureté de l'eau, déterminez la dureté carbonatée de l'eau du robinet à l'aide de la bandelette de test fournie. Les informations sur le degré de dureté de l'eau sont disponibles auprès des compagnies des eaux locales.
- Plongez toutes les zones de réaction de la bandelette dans un verre d'eau froide non filtrée pendant 1 seconde.
- Secouez l'excès d'eau de la bandelette.
- Après 60 secondes, vérifiez le nombre de champs qui sont passés du vert au rose et ajustez le réglage de la tête selon le tableau 1.

### Sélection du réglage de réduction de la dureté de l'eau

En faisant tourner la cartouche filtrante par rapport à la tête, vous pouvez régler le niveau optimal de réduction de la dureté de l'eau. Le réglage approprié est présenté dans le tableau 1 :



Tableau 1		Dureté carbonatée de l'eau		Réglage du niveau de réduction de la dureté carbonatée	Capacité de la cartouche filtrante D1 en litres
Résultat du test de dureté de l'eau	En degrés allemands [°d]	CaCO3 mg/l (milligrammes par litre)			
	Eau dure et très dure au-dessus de 14	au-dessus de 250		400	
	Eau moyennement dure 8 à 14	140 à 250		600	
	Eau douce 4 à 8	70 à 140		1100	
	Eau très douce en dessous de 4	en-dessous de 70		1500	

Les capacités indiquées sont des valeurs maximales à ne pas dépasser en raison de la qualité de l'eau filtrée. L'efficacité réelle, dans une très large mesure, dépend des paramètres de l'eau entrant dans le filtre.

### Remplacement de la cartouche filtrante PERFECT

La cartouche filtrante doit être remplacée si au moins un des cas suivants se produit :

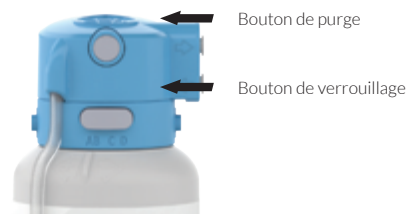
- Le goût ou l'odeur de l'eau filtrée se détériore.
- La capacité spécifiée par le fabricant sera atteinte (voir tableau 1).
- 12 mois s'écouleront à partir du moment où le filtre est installé.
- Quelle que soit la chute de pression dans le réseau de distribution d'eau, il y aura une chute de pression clairement perceptible dans l'eau de sortie.
- L'indicateur indiquera le temps d'utilisation, après quoi l'efficacité de la filtration diminuera.

### Attention !

Si le produit a été stocké ou transporté en dessous de 4°C, laissez-le à température ambiante dans un emballage ouvert pendant au moins 24 heures avant l'installation.

### Instructions pour le remplacement de la cartouche filtrante

- Fermez l'alimentation en eau du système.
- Placez un récipient sous le flexible et le filtre pour récupérer l'eau qui s'écoule, puis appuyez et relâchez le bouton de purge rond pour relâcher la pression dans le système.
- **Sortez la tête avec la cartouche filtrante du support de fixation.**
- Appuyez sur le bouton allongé de verrouillage de la cartouche filtrante et faites glisser la cartouche vers l'extérieur. Si la cartouche est difficile à retirer, tournez-la fermement vers la droite ou vers la gauche et faites-la glisser vers l'extérieur.
- Retirez le couvercle de la nouvelle cartouche filtrante. Le couvercle peut être mis sur le filtre usagé afin que l'eau ne s'en écoule pas.
- Procédez ensuite comme lors de l'installation de la tête sur une cartouche filtrante neuve (voir page 16) et démarrez selon les instructions de la page 17. **Ouvrez l'alimentation en eau, vérifiez s'il y a des fuites**
- La tête du filtre possède une protection contre les submersions : sans la cartouche filtrante, l'eau ne coule pas dans ou hors de la tête.



### Entretien

- Vérifiez régulièrement que le système est étanche et que les flexibles ne sont pas tordus. Les flexibles tordus doivent être remplacés immédiatement.
- N'utilisez pas de produits de nettoyage agressifs, de substances abrasives ou de solutions de nettoyage.

### Débitmètre électronique d'eau

Le débitmètre électronique d'eau mesure la quantité d'eau filtrée.

L'INSTALLATION DU CAPTEUR EST EFFECTUÉE PAR UN INSTALLATEUR

### Installation des piles d'alimentation

Faites glisser le couvercle du compartiment des piles sur le côté du boîtier du débitmètre, retirez le panier et insérez-y deux piles alcalines AA en respectant la polarité. Insérez ensuite le panier et remplacez le couvercle. La capacité de deux piles alcalines AA est suffisante pour deux ans d'utilisation normale.



Exemple de lieu de fixation de l'indicateur

#### Programmation de la surveillance des performances du filtre :

Appuyez sur le bouton « PROG », « PROG » clignote sur l'écran LCD. Appuyez ensuite sur « RESET » pour choisir la valeur appropriée pour enregistrer le bon chiffre. Après avoir choisi la valeur, appuyez sur le bouton « PROG » pour enregistrer la valeur et passer au chiffre suivant. Répétez la procédure ci-dessus pour programmer les valeurs des cinq chiffres de droite à gauche. La valeur de surveillance maximale du débitmètre est de 99999 litres. La fin de la programmation sera signalée par un signal sonore. Si aucune touche n'est appuyée pendant une minute lors de la programmation, la procédure se termine et le compteur revient à son état d'origine.

Après avoir remplacé la cartouche filtrante par une neuve, appuyez brièvement sur le bouton RESET. L'état actuel du compteur s'affiche à l'écran. Appuyez ensuite à nouveau sur la touche RESET pendant env. 5 secondes. Le compteur commencera à surveiller les performances du nouveau filtre.

#### Exploitation

Le débitmètre s'allume automatiquement et affiche la capacité restante lorsque l'eau coule à travers le capteur et s'éteint automatiquement après 10 secondes lorsqu'aucune eau ne coule.

#### Alarme d'usure du filtre

Le débitmètre génère une alarme sonore et les chiffres sur l'écran LCD clignotent lorsque la capacité restante atteint zéro ou moins. L'alarme sera générée chaque fois que l'eau s'écoule à travers le capteur.

#### Réinitialisation

Appuyez sur le bouton « RESET » pendant trois secondes, « RESET » sur l'écran LCD clignote deux fois et la capacité restante est réinitialisée à la valeur de programmation d'origine.

#### Avertissement de batterie faible

Lorsque la capacité de la batterie est faible, le débitmètre émet une alarme sonore et un symbole de batterie vide clignotant apparaît dans le coin supérieur droit de l'écran LCD. L'alarme sera annulée lorsque les piles seront remplacées par des neuves. Le remplacement de la pile n'entraîne pas la perte de l'état du compteur.

#### Spécifications du débitmètre d'eau

Débit de l'eau	0,2-5 l/min.
Mesure du débit d'eau	de 1 à 99999 litres
Alimentation	2 piles alcalines AA
Raccord	flexible 1/4"
Température ouvrable	de 4 à 80°C
Pression de fonctionnement	max. 8 bars
Poids	140 g
Précision	+/- 5%
Longueur du câble électrique vers le capteur de débit	1,5 mètre
Répétabilité du système	1%

#### Recommandations concernant l'élimination et la protection de l'environnement



##### Recommandations concernant l'élimination de l'indicateur électronique indépendant de changement de filtre

Si l'appareil, l'emballage, le manuel d'utilisation et autres sont marqués du symbole d'une poubelle barrée, cela signifie que l'appareil est soumis à une collecte sélective des déchets conformément à la directive 2012/19/UE du Parlement européen et du Conseil. Le symbole d'une poubelle barrée placée sur l'appareil, l'emballage ou le manuel informe que l'équipement électrique et électronique après sa durée de vie utile ne peut pas être jeté avec les autres déchets ménagers. Il est interdit de jeter l'appareil comme un déchet solide ménagé, car il peut être nocif pour l'environnement. L'utilisateur est tenu de remettre les équipements usagés aux opérateurs des points de collecte des déchets d'équipements électriques et électroniques. Des sanctions peuvent être imposées conformément à la législation nationale si ce produit est éliminé de manière incorrecte.



##### Élimination des piles

Le produit nécessite l'utilisation de piles décrites dans la directive 2006/66/CE qui ne peuvent pas être jetées avec les autres déchets ménagers. Veuillez vérifier vos réglementations locales sur l'élimination des piles, car une élimination appropriée aide à prévenir la pollution de l'environnement et les dommages à la santé.

##### Protection de l'environnement

Le fabricant a tout mis en œuvre pour éliminer les emballages inutiles. Les moyens d'emballage utilisés peuvent être en gros divisés en trois groupes : le papier (carton), la mousse de polystyrène (éléments de protection latéraux) et le polyéthylène (sacs en plastique, film de protection). L'appareil est composé de matériaux pouvant être recyclés et réutilisés par des entreprises spécialisées. Veuillez consulter les réglementations locales concernant l'élimination des matériaux d'emballage, des piles déchargées et des appareils électroniques usagés.

#### Conditions de la garantie

Formaster S.A., ul. Fabryczna 24, 25-818 Kielce, inscrite au registre des entrepreneurs du Registre national judiciaire par le tribunal d'instance de Kielce, section X économique du KRS, sous le numéro KRS 0000080942, NIP 9590122245, REGON 290670483, BDO 000000048, capital social : 9 313 000,00 PLN entièrement payé, (ci-après dénommé « Garant ») accorde une garantie sur le système de filtration Flow Comfort selon les modalités et conditions définies dans le présent document.

1. La présente garantie s'applique au système de filtration Flow Comfort (ci-après dénommé « Produit ») acheté par le Client dans les magasins situés sur le territoire de la République de Pologne. La garantie n'est valable qu'en Pologne.
2. Le Produit est couvert par une garantie contre les défauts et vices de fabrication, valable pendant 24 mois à compter de la date d'achat.
3. La garantie n'exclut, ne limite ni ne suspend les droits du Client qui est un consommateur, découlant des dispositions relatives à la garantie pour les défauts de la chose vendue.
4. La garantie reste valable uniquement si le client respecte toutes les recommandations fournies dans la notice d'utilisation du système.

#### Traitement de la demande de garantie

1. Avant de livrer le Produit au point de service, le client est tenu de contacter au préalable le service Formaster par téléphone : numéro vert gratuit 800 703 048 ou par e-mail : [serwis@formaster.com](mailto:serwis@formaster.com), afin d'obtenir des informations sur la manière d'expédier/de livrer le Produit défectueux.
2. Le Client est tenu de livrer le Produit directement au Point de Service à l'adresse suivante : Formaster S.A., ul. Fabryczna 24, 25- 818 Kielce. La livraison du produit au Point de service et son retour à l'adresse indiquée dans la réclamation sont à la charge du Garant. Le produit doit être protégé par le client contre tout dommage pendant le transport vers le point de service. Le client est tenu de joindre au produit faisant l'objet de la réclamation la preuve d'achat et le formulaire de réclamation. La demande doit contenir les informations suivantes : nom et prénom, numéro de téléphone, adresse postale, date de constatation du défaut, description du défaut et demandes du client.
3. La réclamation sera examinée dans un délai de 10 jours ouvrables à compter de la date de livraison du Produit au Point de service et de la notification de réclamation contenant au moins les informations indiquées au point 2 ci-dessus. Formaster informera le client de sa décision concernant la réclamation par e-mail ou par téléphone.
4. Si la réclamation est acceptée, c'est-à-dire si elle est prise en compte conformément à la demande du Client, la réparation ou le remplacement du produit défectueux aura lieu dans les 10 jours ouvrables à compter de la date à laquelle le Client a été informé de la décision dont il est question au point 3 ci-dessus.
5. Le délai de réparation ou de remplacement mentionné ci-dessus peut être prolongé si le Client envoie une réclamation ne contenant pas les informations indiquées au point 2 ci-dessus, si le Client n'a pas envoyé la preuve d'achat du Produit, ainsi que dans d'autres cas justifiés ou en cas de force majeure, c'est-à-dire un événement externe qui ne peut être prévu, ni empêché par des moyens ordinaires, ni évité.
6. En cas de retard dans la réparation ou le remplacement, Formaster en informera le client par e-mail ou par téléphone.
7. Le jour ouvrable mentionné dans le présent document doit être compris comme un jour calendaire, à l'exclusion des samedis, dimanches et jours fériés légaux conformément à la législation polonaise.
8. Tous les Produits défectueux ou leurs pièces qui ont été remplacés par des neufs dans le cadre d'une réparation sous garantie deviennent la propriété du Garant.
9. Si la réclamation n'est pas acceptée, le produit sera renvoyé au Client.
10. En cas de défauts et vices de fabrication du Produit, le Client est tenu de cesser immédiatement d'utiliser le Produit défectueux dès la constatation du défaut.

#### La garantie ne comprend pas :

- les dommages/défauts résultant d'une utilisation, d'un entretien ou d'un stockage non conformes à la notice d'utilisation du Produit ;
- les dommages mécaniques, thermiques, chimiques, survenus (après la remise du Produit au Client) à la suite de facteurs externes, c'est-à-dire pour des raisons non liées au Produit ;
- les dommages résultant de dommages précédemment constatés par le Client et non réparés ;
- les conséquences des réparations, transformations ou modifications de construction effectuées par des entités autres que le Point de service ;
- les dommages résultant d'un montage incorrect, non conforme aux recommandations fournies dans la notice d'utilisation, et du montage de pièces ou d'accessoires inappropriés par des entités autres que le Service après-vente ;
- les dommages survenus (après la remise du Produit au Client) à la suite d'événements fortuits (par exemple, inondation, incendie), c'est-à-dire pour d'autres raisons qui ne sont pas liées au Produit ;
- le Produit, si la cartouche filtrante remplaçable qui a perdu sa capacité de filtration n'a pas été remplacée en temps voulu.

#### La garantie expire dans les cas suivants :

- Le Point de service constate des modifications ou des changements dans la construction effectués par des entités autres que le Point de service ;
- Le Point de service constate une intervention mécanique sur le Produit (après la remise du Produit au Client) effectuée par une entité autre que le Point de service ;
- les dommages résultant des accidents décrits dans la section « La garantie ne couvre pas ».

#### Données personnelles :

Conformément à l'article 13 du règlement général sur la protection des données personnelles du 27 avril 2016 (J. O. UE L 119 du 04.05.2016), j'informe que : le responsable du traitement de vos données personnelles est Formaster S.A., ul. Fabryczna 24, 25 – 818 Kielce.

Les règles relatives au traitement des données personnelles des clients sont définies dans la politique de confidentialité disponible à l'adresse <https://dafi.pl/polityka-prywatnosci/>  
Toute question, remarque ou suggestion concernant la garantie ci-dessus peut être envoyée par e-mail à l'adresse suivante: [serwis@formaster.com](mailto:serwis@formaster.com)

Les dispositions du présent document sont applicables à compter du 27 septembre 2021 et concernent les Produits achetés à partir du 27 septembre 2021. Le document peut faire l'objet de modifications, mais le document modifié s'appliquera aux Produits commandés/achetés à compter de la date d'entrée en vigueur des modifications. La modification du Document n'a aucune incidence sur la garantie accordée au Produit avant la date d'entrée en vigueur du Document modifié et sur les droits acquis par les Clients avant la date d'entrée en vigueur du Document modifié.

IT Caratteristiche

- Le resine a scambio ionico contenute nella cartuccia filtrante, insieme al carbone attivo di origine naturale, riducono efficacemente la durezza dell'acqua di rubinetto e diminuiscono il contenuto di cloro e di altre sostanze indesiderate. L'acqua diventa limpida e pienamente idonea al consumo diretto, nonché alla preparazione di bevande e pietanze.
- L'impostazione del livello di filtrazione deve essere preceduta dalla determinazione della durezza dell'acqua di rubinetto mediante l'apposita striscia reattiva. Le informazioni sulla durezza dell'acqua sono disponibili anche presso il gestore locale del servizio idrico.
- La regolazione del livello di riduzione della durezza carbonatica consiste nel posizionare (ruotare) la cartuccia filtrante rispetto alla testata seguendo le indicazioni riportate. Le impostazioni di regolazione, l'efficacia del filtro e la sua durata dipendono dalle caratteristiche locali dell'acqua e dallo stato dell'impianto idrico.
- La sostituzione della cartuccia filtrante e la regolazione del livello di riduzione della durezza carbonatica sono intuitive e non richiedono l'uso di strumenti aggiuntivi.
- Gli elementi del sistema sono progettati per l'installazione all'interno del mobile sottolavello.
- Nel sistema filtrante sono stati impiegati materiali idonei al contatto con alimenti. Il sistema dispone delle certificazioni igienico-sanitarie richieste.
- Il sistema Flow Comfort include un misuratore elettronico di portata dell'acqua, Flow Meter, che segnala la necessità di sostituzione della cartuccia filtrante.

Sicurezza d'uso – informazioni importanti

- Il sistema filtrante per l'acqua di rubinetto deve essere installato all'attacco dell'acqua potabile fredda. Non utilizzare il sistema con acqua non analizzata per verificarne l'idoneità al consumo.
- A monte del filtro deve essere installata una valvola di intercettazione. Nel raccordo a T fornito nel kit è integrata una valvola di intercettazione. Se la pressione dell'acqua supera il valore nominale, è necessario installare un riduttore di pressione.
- Alcuni gruppi di persone, ad esempio chi soffre di patologie renali o ha un sistema immunitario indebolito, dovrebbero consultare uno specialista e/o un medico per valutare la possibilità e le modalità di utilizzo del filtro.
- Si raccomanda di non lasciare il sistema filtrante inutilizzato per un periodo prolungato. Se il sistema non viene utilizzato per 2-3 giorni, si consiglia di risciacquarlo con 2 litri d'acqua. Se non è stato utilizzato per più di un mese, occorre risciacquarlo con 20 litri d'acqua.
- L'acqua filtrata rimane idonea al consumo per 1-2 giorni (a seconda delle condizioni di conservazione).
- A causa della possibile presenza di contaminazioni secondarie nell'impianto idrico, il sistema è classificato nella categoria 2 secondo la norma PN-EN 1717.
- La cartuccia filtrante e la testata devono essere protette dal surriscaldamento e dalla luce solare diretta.
- La cartuccia filtrante PERFECT, confezionata in fabbrica, è idonea all'uso per 5 anni dalla data di produzione.
- La cartuccia filtrante è compatibile con impianti dotati di filetto G3/8".

Dati tecnici del sistema filtrante

Pressione di esercizio	0,08 - 0,6 MPa (0,8 - 6 bar)	
Pressione massima di esercizio (per valori superiori utilizzare un riduttore di pressione)	0,8 Mpa (8 bar)	
Temperatura dell'acqua in ingresso	4°C a 30°C	
Temperatura ambiente durante la conservazione e il trasporto	-15°C a 40°C	
Portata dell'acqua (valori medi per tutte le impostazioni A, B, C, D)	Pressione nell'impianto idrico	1,6 l/min 0,1 MPa (1 bar)
		2,5 l/min 0,2 MPa (2 bar)
		3,7 l/min 0,3 MPa (3 bar)
		4,3 l/min 0,4 MPa (4 bar)
Posizione di montaggio	Verticale	
Collegamento acqua – ingresso e uscita	Tubo flessibile da ¼" (6,3 mm)	
Peso della cartuccia filtrante (bagnata/asciutta)	1735 g/1115 g	
Dimensioni del filtro con la testata e con la staffa	110x110x290 mm	

Contenuto della confezione

<p>Cartuccia filtrante PERFECT, per migliorare il gusto dell'acqua di rubinetto e ridurre l'eccessiva durezza</p>  <p>275 mm 102 mm</p>	<p>Testata della cartuccia con regolazione a quattro livelli che consente di adattare il funzionamento del sistema alla durezza dell'acqua</p> 	<p>Staffa e viti per per il montaggio a parete</p> 	<p>Misuratore elettronico di portata dell'acqua Flow Meter</p> 	<p>Raccordo a T e tubo flessibile</p> 	<p>Striscia reattiva per testare la durezza dell'acqua</p> 
--	--	--	--	---	--

Note prima del montaggio

- Il montaggio del sistema Flow Comfort può essere effettuato autonomamente. Per qualsiasi consiglio, contattare il servizio di assistenza Dafu al numero verde: 800 703 048.
- Prima di installare i componenti del sistema, è necessario verificare che gli elementi di attacco non presentino segni di danneggiamento e che non siano incrostanti da calcare. Pulire o sostituire gli elementi se necessario.
- L'installazione del sistema filtrante Flow Comfort deve essere effettuata in conformità alle norme vigenti per gli impianti di acqua potabile.

Installazione della testata del filtro sulla cartuccia filtrante

- 1 Direttamente prima di agganciare la testata del filtro alla cartuccia filtrante, rimuovere la protezione di sicurezza. Rimozione della protezione di sicurezza:



Staccare il sigillo



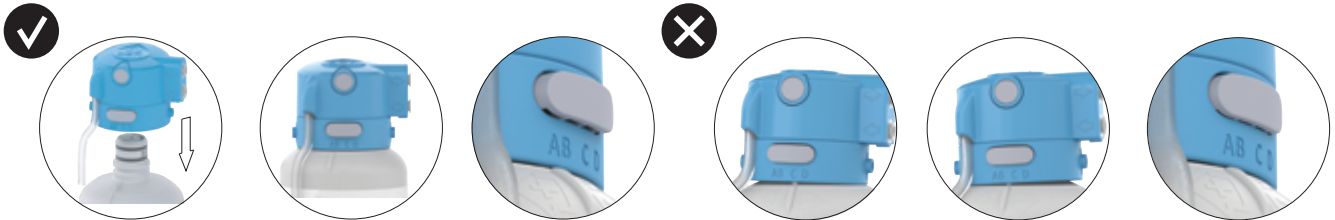
Rimuovere la protezione



Fig. 1

- 2 Premere la testata sulla cartuccia filtrante con un movimento deciso, esercitando una pressione uniforme su tutta la superficie, in modo che non rimanga alcuna fessura tra il filtro e la testata. Durante l'installazione della testata del filtro si consiglia di posizionare la cartuccia filtrante su una superficie stabile, ad es. sul fondo del mobile o sul pavimento. Assicurarsi che il pulsante di blocco sia sporgente nello stesso modo di prima del collegamento tra la testata del filtro e la cartuccia filtrante. (fig. 1) La posizione contrassegnata dalle frecce sulla cartuccia deve essere allineata alle indicazioni ABCD sulla testata del filtro.

Le tuyau d'évent, qui fait partie de la tête, doit être acheminé librement et situé à l'extérieur de la tête.



#### Collegamento del sistema filtrante all'impianto idrico

- Dividere il tubo flessibile in due parti: una da collegare alla rete idrica e l'altra al miscelatore a tre vie. Ricordarsi di tagliare il tubo flessibile ad angolo retto.
- Il sistema filtrante viene collegato all'impianto idrico con tubi flessibili da 1/4" (6,3 mm), inserendoli fino all'arresto nei raccordi rapidi situati nella testata.
- Le posizioni dei tubi flessibili dell'acqua sono contrassegnate sulla testata con frecce che indicano l'ingresso e l'uscita dell'acqua.
- A seconda del tipo e delle dimensioni dell'attacco dell'acqua potabile fredda, esistono diversi modi di montaggio del tubo flessibile di adduzione.

Per collegare il tubo flessibile di adduzione alla presa d'acqua, utilizzare un raccordo a T adatto a tubi flessibili dell'acqua da 1/4" (6,3 mm).

La valvola di intercettazione angolare con valvola di non ritorno, filetto G3/8" e raccordo rapido per tubo flessibile dell'acqua da 1/4":

- consente l'inserimento del tubo flessibile dell'acqua da 1/4" nel punto in cui il tubo flessibile della rubinetteria si collega alla presa dell'acqua fredda
- è dotata di protezione contro il riflusso dal filtro
- il raccordo rapido rende veloce e semplice l'inserimento del tubo flessibile da 1/4"

#### Montaggio della staffa a parete

- Il filtro può essere posizionato liberamente sul pavimento in posizione verticale oppure agganciato alla staffa a parete, in modo che i tubi flessibili rimangano liberi.
- La staffa a parete si monta con due viti scelte in base al tipo di parete, ad es. per un pannello truciolare da mobile si utilizzano viti 3,5 PZ. La staffa deve essere montata in modo da garantire lo spazio necessario per la cartuccia filtrante in posizione verticale.



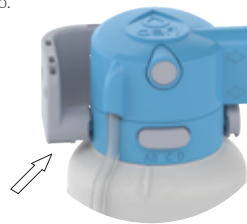
1 modo



2 modo

#### Aggancio della testata con la cartuccia filtrante alla staffa di fissaggio

- 1 Inserire il gancio della testata nel foro della staffa di fissaggio dal lato destro
- 2 Flettere leggermente il braccio opposto della staffa di fissaggio e agganciare la testata premendo il gancio nel foro.
- 3 Verificare che la testata sia stabilmente inserita nella staffa di fissaggio.



Le capacità indicate rappresentano i valori massimi che non devono essere superati per garantire la qualità dell'acqua filtrata. La capacità effettiva dipende in larga misura dai parametri dell'acqua in ingresso al filtro.

#### Avviamento del sistema

- 1 Prima di aprire l'alimentazione dell'acqua, assicurarsi che tutte le operazioni di installazione siano state eseguite correttamente e che tutti i componenti del sistema siano stati accoppiati in modo appropriato.
- 2 Aprire il rubinetto dell'acqua filtrata.
- 3 Aprire l'alimentazione dell'acqua, verificare l'assenza di perdite e far scorrere l'acqua finché non risulta trasparente e priva di bolle d'aria.

#### Test di durezza dell'acqua

- Prima di impostare il livello di riduzione della durezza, è necessario determinare la durezza carbonatica dell'acqua di rete utilizzando la striscia reattiva fornita in dotazione. Le informazioni sul grado di durezza dell'acqua sono disponibili presso il gestore locale del servizio idrico.
- Immergere per 1 secondo tutte le aree reattive della striscia per il test in un bicchiere d'acqua fredda non filtrata.
- Scuotere la striscia per eliminare l'eccesso d'acqua.
- Dopo 60 secondi, verificare il numero di aree che hanno cambiato colore dal verde al rosa e regolare l'impostazione della testata del filtro in base alla tabella n. 1.

### Scelta dell'impostazione di riduzione della durezza dell'acqua

Ruotando la cartuccia filtrante rispetto alla testata è possibile impostare il livello ottimale di riduzione della durezza dell'acqua. L'impostazione corretta è indicata nella tabella n. 1:



Tabella n. 1		Durezza carbonatica dell'acqua		Impostazione del livello di riduzione della durezza carbonatica dell'acqua	Capacità della cartuccia filtrante D1 in litri
Risultato del test della durezza dell'acqua	In gradi tedeschi [°d]	CaCO <sub>3</sub> mg/l (milligrammi per litro)			
	Acqua dura e molto dura sopra 14	sopra 250		400	
	Acqua mediamente dura da 8 a 14	140 fino a 250		600	
	Acqua dolce da 4 a 8	70 fino a 140		1100	
	Acqua molto dolce sotto 4	sotto 70		1500	

Le capacità indicate rappresentano i valori massimi che non devono essere superati per garantire la qualità dell'acqua filtrata. La capacità effettiva dipende in larga misura dai parametri dell'acqua in ingresso al filtro

### Sostituzione della cartuccia filtrante PERFECT

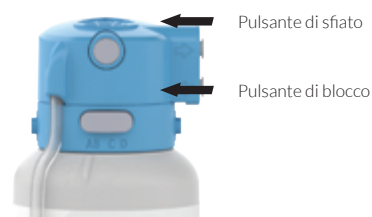
- La cartuccia filtrante deve essere sostituita se si verifica anche solo uno dei seguenti casi:
  - Il gusto o l'odore dell'acqua filtrata peggiorano.
  - La capacità indicata dal produttore verrà raggiunta (vedere la tabella n. 1).
  - Trascorreranno 12 mesi dall'installazione del filtro.
  - Indipendentemente dalla diminuzione della pressione nell'impianto idrico, si verificherà una riduzione chiaramente percepibile della pressione dell'acqua in uscita.
  - L'indicatore segnalerà il periodo di utilizzo oltre il quale l'efficienza della filtrazione si ridurrà.

### Attenzione!

Se il prodotto è stato conservato o trasportato a una temperatura inferiore a 4°C, prima dell'installazione dovrà essere lasciato a temperatura ambiente, nella confezione aperta, per almeno 24 ore.

### Istruzioni per la sostituzione della cartuccia filtrante

- Chiudere l'adduzione dell'acqua al sistema.
- Posizionare un contenitore sotto il tubo flessibile e sotto il filtro per raccogliere l'acqua fuoriuscente, quindi premere e rilasciare il pulsante rotondo di sfogo per ridurre la pressione nel sistema.
- **Sganciare la testata con la cartuccia filtrante dalla staffa di fissaggio.**
- Premere il pulsante longitudinale di blocco della cartuccia filtrante e sfilare la cartuccia. Se la cartuccia è difficile da rimuovere, ruotarla con decisione verso destra o verso sinistra e sfilarla.
- Rimuovere la protezione del collo dalla nuova cartuccia filtrante. La protezione può essere applicata al filtro esaurito per evitare la fuoriuscita dell'acqua.
- Successivamente procedere come per l'installazione della testata sulla nuova cartuccia filtrante (vedere pagina 21) e avviare secondo le istruzioni riportate a pagina 22. **Aprire l'adduzione dell'acqua e verificare che non vi siano perdite.**
- La testata del filtro è dotata di una protezione antiaggancio: senza la cartuccia filtrante l'acqua non scorre né fuoriesce dalla testata



### Manutenzione

- Controllare regolarmente che il sistema sia a tenuta e che i tubi flessibili non siano piegati. I tubi flessibili piegati devono essere sostituiti immediatamente.
- Non utilizzare detergenti aggressivi, sostanze abrasive o soluzioni detergenti

### Misuratore elettronico di portata dell'acqua

Il misuratore elettronico di portata dell'acqua rileva la quantità di acqua filtrata.

L'INSTALLAZIONE DEL SENSORE DEVE ESSERE ESEGUITA DALL'INSTALLATORE

### Installazione delle batterie di alimentazione

Far scorrere il coperchio del vano batterie sul lato dell'alloggiamento del misuratore di portata, estrarre il cassetto e inserire due batterie alcaline AA rispettando la corretta polarità. Successivamente inserire il cassetto e richiudere il coperchio. La capacità di due batterie alcaline AA garantisce un'autonomia di circa due anni in condizioni di utilizzo normale.



Esempio di posizione di montaggio

#### Programmazione del monitoraggio della capacità del filtro:

Premere il pulsante "PROG": sul display LCD inizierà a lampeggiare la scritta "PROG". Quindi premere "RESET" per selezionare il valore corretto da memorizzare per la cifra di destra. Una volta selezionato il valore, premere il pulsante "PROG" per memorizzarlo e passare alla cifra successiva. Ripetere la procedura sopra descritta per programmare i valori delle cinque cifre da destra verso sinistra. Il valore massimo monitorabile dal Flow Meter è di 99 999 litri. Al termine della programmazione il contatore emetterà un segnale acustico \* Se durante la programmazione non verrà premuto alcun pulsante per un minuto, la procedura verrà terminata e il contatore tornerà allo stato iniziale.

Dopo la sostituzione della cartuccia filtrante con una nuova, premere brevemente il pulsante RESET. Sul display apparirà lo stato attuale del contatore. Quindi premere nuovamente il pulsante RESET per circa 5 secondi. Il contatore inizierà a monitorare la capacità del nuovo filtro.

#### Funzionamento

Il Flow Meter si accende automaticamente e visualizza la capacità residua quando l'acqua scorre attraverso il sensore, e si spegne automaticamente dopo 10 secondi quando l'acqua non scorre.

#### Allarme di esaurimento del filtro

Il Flow Meter genera un allarme sonoro e le cifre sul display LCD lampeggiano quando la capacità residua raggiunge zero o un valore negativo. L'allarme verrà generato ogni volta che l'acqua scorrerà attraverso il sensore.

#### Reset

Premere il pulsante "RESET" per tre secondi; la scritta "RESET" sul display LCD lampeggerà due volte e la capacità residua verrà ripristinata al valore originale di programmazione.

#### Avviso di batteria scarica

Quando il livello di carica della batteria è basso, il Flow Meter genera un allarme acustico e nell'angolo superiore destro del display LCD compare il simbolo lampeggiante della batteria scarica. L'allarme viene annullato quando le batterie vengono sostituite con nuove. La sostituzione delle batterie non comporta la perdita dello stato del contatore.

#### Dati tecnici del misuratore di portata dell'acqua Flow Meter

Portata dell'acqua	0,2-5 l/min.
Misurazione della portata dell'acqua	da 1-99999 litri
Alimentazione	2 batterie alcaline AA
Attacco	tubo flessibile da 1/4"
Temperatura di esercizio	da 4 a 80 °C
Pressione di esercizio	max 8 bar
Peso	140 g
Precisione	+/- 5%
Lunghezza del cavo elettrico per il sensore di portata	1,5 metri
Ripetibilità del sistema	1%

#### Raccomandazioni per lo smaltimento e per la protezione dell'ambiente



##### Raccomandazioni per lo smaltimento dell'indicatore elettronico indipendente di sostituzione del filtro

Se l'apparecchiatura, l'imballaggio, il manuale d'uso o altri documenti riportano il simbolo del contenitore dei rifiuti barrato, ciò indica che il prodotto è soggetto a raccolta differenziata in conformità alla Direttiva 2012/19/UE del Parlamento Europeo e del Consiglio. Il simbolo del contenitore dei rifiuti barrato, apposto sull'apparecchiatura, sull'imballaggio o sul manuale d'uso, indica che le apparecchiature elettriche ed elettroniche, al termine del loro ciclo di vita, non possono essere smaltite insieme ai rifiuti domestici. È vietato smaltire l'apparecchiatura come rifiuto solido urbano indifferenziato, poiché ciò potrebbe risultare dannoso per l'ambiente. L'utente è tenuto a conferire le apparecchiature a fine vita presso i centri di raccolta autorizzati per i rifiuti di apparecchiature elettriche ed elettroniche. In caso di smaltimento non conforme del prodotto, possono essere applicate sanzioni previste dalla normativa nazionale vigente.



##### Smaltimento delle batterie

Il prodotto richiede l'uso di batterie rientranti nell'ambito della Direttiva 2006/66/CE, le quali non possono essere smaltite insieme ai rifiuti domestici. È necessario attenersi alle normative locali relative allo smaltimento delle batterie, poiché il loro corretto smaltimento contribuisce a prevenire l'inquinamento ambientale e rischi per la salute.

##### Protezione dell'ambiente

Il produttore ha adottato tutte le misure possibili per eliminare materiali di imballaggio superflui. I materiali di imballaggio utilizzati possono essere suddivisi, in linea generale, in tre categorie: cartone (imballaggi in cartone), polistirene espanso (elementi laterali di protezione) e polietilene (sacchetti e pellicole protettive). L'apparecchiatura è realizzata con materiali che possono essere avviati allo smaltimento e al riutilizzo da parte di aziende specializzate. Si raccomanda di consultare le normative locali relative allo smaltimento dei materiali di imballaggio, delle batterie esaurite e delle apparecchiature elettroniche a fine vita.

Condizioni di Garanzia

Formaster S.A., in ul. Fabryczna 24, 25-818 Kielce, iscritta nel Registro delle Imprese del Registro Giudiziario Nazionale dal Tribunale Distrettuale di Kielce, X Sezione Economica del Registro Giudiziario Nazionale KRS con il numero KRS 0000080942, C.F. 9590122245, codice statistico delle imprese REGON 290670483, BDO 000000048, capitale sociale: 9 313 000,00 PLN interamente versato, (di seguito denominata "Garante") fornisce una garanzia per il Sistema filtrante Flow Comfort ai termini e alle condizioni stabiliti nel presente documento.

1. La presente garanzia si applica al Sistema filtrante Flow Comfort (di seguito denominato "Prodotto") acquistato dal Cliente nei negozi presenti sul territorio della Repubblica di Polonia. La garanzia è valida esclusivamente sul territorio della Polonia.
2. Il prodotto è garantito contro i difetti e i vizi di fabbricazione dalla data di acquisto per un periodo di 24 mesi.
3. La garanzia non esclude, non limita e non sospende i diritti del Cliente consumatore derivanti dalle disposizioni in materia di responsabilità per vizi della cosa venduta.
4. La garanzia rimane valida esclusivamente qualora il Cliente rispetti tutte le indicazioni contenute nel manuale d'uso del sistema.

Gestione della richiesta di garanzia

1. Prima di consegnare il Prodotto al Centro di Assistenza, il Cliente è tenuto a contattare telefonicamente il Centro di Assistenza Formaster: numero verde 800 703 048 o via e-mail: [serwis@formaster.com](mailto:serwis@formaster.com), al fine di ottenere informazioni riguardanti le modalità di spedizione/consegna del Prodotto difettoso.
2. Il Cliente è tenuto a consegnare il prodotto direttamente al Centro di Assistenza all'indirizzo: Formaster S.A., ul. Fabryczna 24, 25-818 Kielce. La consegna del prodotto al Centro di Assistenza e la sua restituzione all'indirizzo indicato nella segnalazione di reclamo avvengono a spese del Garante. Il Prodotto deve essere adeguatamente protetto dal Cliente contro eventuali danni per tutta la durata del trasporto al Centro di Assistenza. Il Cliente è tenuto ad allegare al prodotto oggetto di reclamo la prova d'acquisto e la segnalazione di reclamo. La segnalazione deve contenere dati quali: nome e cognome, numero di telefono, indirizzo per la restituzione, data di rilevazione del difetto, descrizione del guasto e le richieste del Cliente.
3. L'esame del reclamo sarà effettuato entro 10 giorni lavorativi dalla data di consegna del Prodotto al Centro di Assistenza e della segnalazione di reclamo contenente almeno le informazioni indicate al punto 2 sopra. Formaster informerà il Cliente della decisione presa in merito al reclamo tramite e-mail o telefonicamente.
4. In caso di accoglimento del reclamo, ossia della sua considerazione conforme alle richieste del Cliente, la riparazione o la sostituzione del Prodotto difettoso sarà effettuata entro 10 giorni lavorativi dalla data in cui il Cliente è stato informato della decisione di cui al punto 3 sopra.
5. Il termine per la riparazione o la sostituzione, di cui sopra, può essere prorogato nel caso in cui il Cliente invii una segnalazione di reclamo priva delle informazioni indicate al punto 2 sopra, non trasmetta la prova d'acquisto del Prodotto, nonché in altri casi giustificati o in presenza di forza maggiore, vale a dire un evento esterno imprevedibile e inevitabile con mezzi ordinari o contro il quale non è possibile adottare misure di protezione.
6. In caso di ritardo nella riparazione o nella sostituzione, Formaster ne informerà il Cliente tramite e-mail o telefonicamente.
7. Per giorno lavorativo, ai sensi del presente documento, si intende un giorno di calendario con esclusione del sabato, della domenica e dei giorni riconosciuti per legge come festivi secondo il diritto polacco.
8. Tutti i Prodotti difettosi o le loro parti che, nell'ambito della riparazione in garanzia, siano stati sostituiti con elementi nuovi, diventano di proprietà del Garante.
9. Qualora il reclamo non venga accolto, il Prodotto sarà restituito al Cliente.
10. In caso di difetti o vizi di fabbricazione del Prodotto, il Cliente è tenuto a cessare immediatamente l'uso del Prodotto danneggiato dal momento dell'accertamento della difettosità.

La garanzia non copre:

- danni/difetti risultanti da un uso, una manutenzione o una conservazione non conformi al manuale d'uso del Prodotto;
- danni di natura meccanica, termica o chimica verificatisi (dopo la consegna del Prodotto al Cliente) a causa di fattori esterni, ossia per motivi non inerenti al Prodotto;
- danni derivanti da precedenti danni constatati dal Cliente e non eliminati;
- conseguenze di riparazioni, modifiche o interventi strutturali effettuati da soggetti diversi dal Centro di Assistenza;
- danni derivanti da un montaggio non corretto, non conforme alle indicazioni fornite nel manuale d'uso, nonché dall'installazione di parti o accessori non idonei effettuata da soggetti diversi dal Centro di Assistenza;
- danni insorti (dopo la consegna del Prodotto al Cliente) a seguito di eventi fortuiti (ad es. alluvione, incendio), e quindi per cause non inerenti al Prodotto;
- il Prodotto, qualora la cartuccia filtrante sostituibile abbia perso la propria capacità filtrante e non sia stata sostituita nei tempi prescritti.

La garanzia decade quando:

- il Centro di Assistenza accerti modifiche o alterazioni della struttura effettuate da soggetti diversi dal Centro di Assistenza;
- il Centro di Assistenza accerti un intervento meccanico sul Prodotto eseguito (dopo la consegna del Prodotto al Cliente) da un soggetto diverso dal Centro di Assistenza;
- i danni siano insorti a seguito degli eventi indicati nel punto "La garanzia non copre".

Dati personali:

Conformemente all'art. 13 del regolamento generale sulla protezione dei dati personali del 27 aprile 2016 (G. U. UE L 119 del 04/05/2016) si comunica che: Il titolare del trattamento dei Suoi dati personali è Formaster S.A., ul. Fabryczna 24, 25-818 Kielce.

Le regole relative al trattamento dei dati personali dei Clienti sono definite nell'Informativa sulla privacy disponibile all'indirizzo <https://dafi.pl/polityka-prywatnosci/> Eventuali domande, osservazioni o suggerimenti relativi alla presente garanzia possono essere inviati all'indirizzo e-mail: [serwis@formaster.com](mailto:serwis@formaster.com)

Le disposizioni del presente Documento sono in vigore dal 27/09/2021 e si applicano al Prodotto acquistato a partire dal 27/09/2021. Il Documento può essere soggetto a modifiche, fermo restando che la sua versione modificata si applicherà ai Prodotti ordinati/acquistati a decorrere dalla data di entrata in vigore delle modifiche. La modifica del Documento non produce alcun effetto sulla garanzia concessa per il Prodotto prima della data di entrata in vigore della sua versione modificata, né sui diritti acquisiti dai Clienti prima di tale data.

RO Caracteristici

- Rășina și depozitele de cărbune activ conținute în cartușul de filtrare sunt excelente pentru a reduce duritatea apei de la robinet și pentru a diminua conținutul de clor și de alte substanțe nedorite. Apa devine cristalină și este pe deplin compatibilă pentru consumul direct precum și pentru prepararea băuturilor și alimentelor.
- Înainte de a determina gradul de filtrare, trebuie determinată duritatea apei de la robinet cu o bandă de testare. Informații despre duritatea apei pot fi obținute și de la companiile locale de furnizare a apei.
- Gradul de reducere a durtății carbonaților se stabilește prin reglarea poziției (rotației) cartușului filtrant în raport cu capul, în conformitate cu marcajele. Setările, performanța și durata de viață a filtrului depind de caracteristicile locale ale apei și de starea sistemului de apă.
- Schimbarea cartușului de filtru și ajustarea nivelului de reducere a durtății carbonatate este intuitivă și nu necesită instrumente suplimentare.
- Componentele sistemului sunt adaptate pentru a fi instalate în dulapul chiuvetei.
- Sistemul de filtrare utilizează materiale omologate pentru a intra în contact cu alimentele. Sistemul are aprobările de igienă relevante.
- Din sistemul Flow Comfort face parte și debitmetrul electronic Flow Meter, care vă reamintește când este timpul să schimbați cartușul de filtru.

Siguranța în timpul utilizării - informații importante

- Sistemul de filtrare a apei de la robinet trebuie să fie conectat la o sursă de apă potabilă rece. Nu îl utilizați cu apă a cărei potabilitate nu a fost testată.
- În amonte de filtru trebuie instalată o supapă de închidere. Există o supapă de închidere încorporată în teul inclus în kit. În cazul în care presiunea apei este mai mare decât presiunea nominală, trebuie instalată o supapă de reducere.
- Anumite grupuri de persoane, de exemplu persoanele cu afecțiuni renale sau persoanele imunocompromise, trebuie să solicite sfatul unui specialist și/sau al unui medic pentru a stabili dacă și cum ar trebui să utilizeze filtrul.
- Se recomandă să nu lăsați sistemul de filtrare nefolosit pentru o perioadă lungă de timp. În cazul în care sistemul nu este utilizat timp de 2-3 zile, se recomandă spălarea acestuia cu 2 litri de apă. Dacă nu a fost folosit mai mult de o lună, ar trebui să fie clătit cu 20 de litri de apă.
- Apa filtrată rămâne potabilă timp de 1-2 zile (în funcție de condițiile de depozitare).
- Din cauza posibilității de contaminare secundară în sistemul de apă, sistemul este clasificat ca fiind de categoria 2 în conformitate cu PN-EN 1717.
- Protejați cartușul filtrant și capul de căldură excesivă și de lumina soarelui.
- Cartușul de filtru PERFECT ambalat în fabrică este utilizabil timp de 5 ani de la data fabricației.
- Cartușul de filtru este potrivit pentru instalații cu filet G3/8".

Datele tehnice ale sistemului de filtrare

Presiunea de funcționare	0,08 - 0,6 MPa (0,8 - 6 bari)	
Presiunea maximă de funcționare (utilizați un reductor de presiune dacă este mai mare)	0,8 Mpa (8 bari)	
Temperatura apei de intrare	4°C până la 30°C	
Temperatura ambiantă în timpul depozitării și al transportului	-15°C până la 40°C	
Debitul de apă (valorile medii pentru toate setările A, B, C, D)	Presiunea în sistemul de apă	1,6 l/min      0,1 MPa (1 bar)
		2,5 l/min      0,2 MPa (2 bar)
		3,7 l/min      0,3 MPa (3 bar)
		4,3 l/min      0,4 MPa (4 bar)
Poziția de montare	Verticală	
Racord de apă - intrare și ieșire	Furtun ¼ " (6,3 mm)	
Greutatea cartușului de filtru (umed/uscat)	1735 g/1115 g	
Dimensiunile filtrului cu cap și mâner	110x110x290 mm	

Conținutul ambalajului

- |  |   |   |  |                        |                                  |
|--|---|---|--|------------------------|----------------------------------|
| Cartuș de filtru PERFECT care îmbunătățește gustul apei de la robinet și reduce duritatea excesivă | Cap de cartuș filtrant cu reglare în patru trepte pentru a adapta funcționarea sistemului la duritatea apei | Suport și șuruburi pentru montare pe perete | Contor electronic al debitului de apă Flow Meter | Teu și furtun flexibil | Bandă de testare a durtății apei |
|--|---|---|--|------------------------|----------------------------------|



Mențiuni înainte de instalare

- Înainte de a instala componentele sistemului, verificați dacă componentele de conectare sunt deteriorate și dacă nu există depuneri de calcar. Curățați sau înlocuiți componentele dacă este necesar.
- Instalarea sistemului de filtrare Flow Comfort trebuie efectuată în conformitate cu reglementările aplicabile pentru instalațiile de apă potabilă.

Instalarea capului cartușului filtrant

- 1 Imediat înainte de fixarea capului pe cartușul filtrului, îndepărtați capacul de protecție. Modul de îndepărtare a capacului de protecție:



Îndepărtați protecția



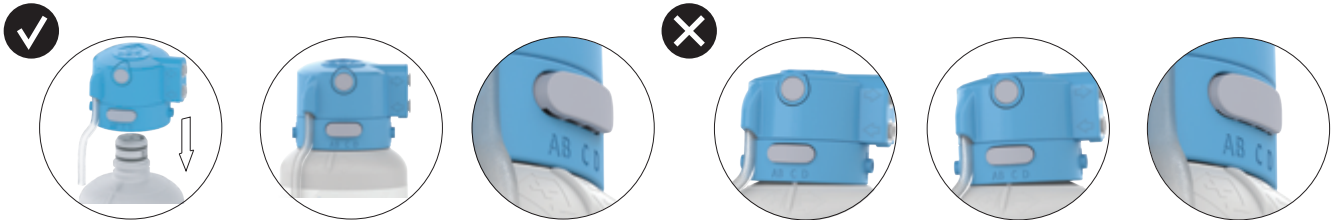
Scoateți capacul



Fig. 1

- 2 Apăsați capul filtrului pe cartușul filtrant cu o mișcare rapidă și sigură, apăsând uniform întreaga suprafață, astfel încât să nu existe niciun spațiu între filtru și cap. Atunci când montați capul, recomandăm să așezați cartușul pe o suprafață stabilă, de exemplu pe fundul unui dulap sau pe podea. Asigurați-vă că butonul de blocare este în aceeași poziție ca înainte de conectarea capului cu filtrul (fig. 1). Locul marcat pe cartuș cu săgeți trebuie să fie în fața marcajelor ABCD de pe cap.

Furtunul de aerisire, care face parte din cap, trebuie să fie liber scos în afara capului.



#### Conectarea sistemului de filtrare la sistemul de apă

- Împărțiți furtunul flexibil în două părți - una pentru a fi montată la rețeaua de alimentare cu apă și cealaltă la robinetul cu trei căi. Nu uitați să tăiați furtunul în unghi drept.
- Sistemul de filtrare este conectat la sistemul de apă cu furtunuri de apă de 1/4" (6,3 mm) care sunt introduse până la capăt în cuplajele rapide de pe cap.
- Pozițiile furtunurilor de apă sunt marcate pe cap cu săgeți care indică intrarea și ieșirea apei.
- În funcție de tipul și dimensiunea racordului de apă potabilă rece, există mai multe moduri de a instala furtunul de admisie.

Pentru a conecta furtunul de admisie la priza de apă, utilizați un teu potrivit pentru furtunuri de apă de 1/4" (6,3 mm).

- Supapă de închidere înclinată cu clapetă de reținere, filet G3/8" și cuplaj cu conectare rapidă pentru furtun de apă de 1/4"
- permite conectarea unui furtun de apă 1/4" la punctul de racordare a furtunului flexibil al robinetului la priza de apă rece
- are un dispozitiv de prevenire a refluxului din filtru
- cuplajul rapid face ca conectarea furtunului de 1/4" să fie rapidă și ușoară

#### Montajul suportului de perete

- Filtrul poate sta liber pe sol în poziție verticală sau poate fi agățat pe un suport de perete, astfel încât furtunurile să fie libere.
- Suportul de perete se montează cu ajutorul a două șuruburi selectate corespunzător pentru tipul de perete, de exemplu, pentru plăci aglomerate pentru mobilier - șuruburi 3,5 Pz. Suportul trebuie montat astfel încât să asigure un spațiu suficient pentru cartușul de filtrare în poziție verticală.



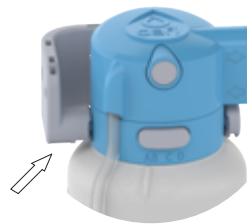
Primul mod



Al doilea mod

#### Fixarea capului cu cartușul filtrant pe suportul de montare

- 1 Glisați clema capului în orificiul suportului de montare din partea dreaptă.
- 2 Îndoțiți ușor brațul opus al suportului de montare și fixați capul prin apăsarea clemei în orificiu.
- 3 Verificați dacă capul este bine așezat în suportul de montare.



Capacitățile indicate sunt valori maxime care nu trebuie depășite din cauza calității apei filtrate. Performanțele reale depind, într-o foarte mare măsură, de parametrii apei care intră în filtru.

#### Pornirea sistemului

- 1 Înainte de a deschide alimentarea cu apă, asigurați-vă că toate lucrările de instalare au fost efectuate corect și că toate componentele sistemului au fost montate corespunzător.
- 2 Deschideți robinetul pentru apă filtrată.
- 3 Deschideți alimentarea cu apă, verificați dacă există scurgeri și lăsați apa să curgă până când aceasta devine limpede și fără bule de aer.

#### Testarea durtății apei

- Înainte de a seta nivelul de reducere a durtății apei, trebuie să determinați durtățile carbonatate a apei de la robinet cu ajutorul benzii de testare furnizate în set. Informații privind durtățile apei pot fi obținute de la rețeaua locală de alimentare cu apă.
- Introduceți într-un pahar cu apă rece, nefiltrată, toate câmpurile de reacție ale benzii de testare pentru o secundă.
- Scuturați excesul de apă de pe bandă.
- După 60 de secunde, verificați numărul de câmpuri care și-au schimbat culoarea din verde în roz și setați capul în conformitate cu tabelul 1.

### Selectarea setării pentru reducerea durtății apei

Prin rotirea cartușului filtrant în raport cu capul, se poate seta nivelul optim de reducere a durtății apei. Setarea corespunzătoare este prezentată în tabelul 1:



Tabelul nr. 1		Duritatea carbonată a apei		Setarea nivelului de reducere a durtății carbonatate a apei	Capacitate pentru cartușul filtrant D1 în litri
Rezultatul testului de duritate a apei	În grade germane [°d]	CaCO <sub>3</sub> mg/l (miligrame pe litru)			
	Apă dură și foarte dură peste 14	peste 250		400	
	Apă cu duritate medie 8 până la 14	140 până la 250		600	
	Apă moale 4 până la 8	70 până la 140		1100	
	Apă foarte moale sub 4	sub 70		1500	

Capacitățile indicate sunt valori maxime care nu trebuie depășite din cauza calității apei filtrate. Performanțele reale depind, într-o foarte mare măsură, de parametrii apei care intră în filtru.

### Înlocuirea cartușului filtrant PERFECT

Cartușul de filtru trebuie înlocuit când apare cel puțin una dintre următoarele situații:

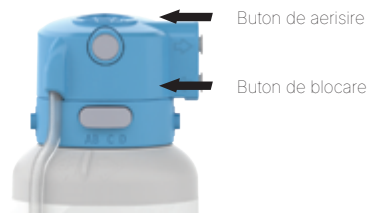
- Gustul sau mirosul apei filtrate se deteriorează.
- Performanța specificată de producător este atinsă (a se vedea tabelul nr. 1).
- După 12 luni de la instalarea filtrului.
- Indiferent de căderea de presiune din sistemul de apă, există o scădere vizibilă a presiunii apei care iese.
- Indicatorul semnalează perioada de utilizare după care performanța de filtrare scade.

### Atenție!

În cazul în care produsul a fost depozitat sau transportat la temperaturi sub 4°C, acesta trebuie lăsat la temperatura camerei cu ambalajul deschis timp de cel puțin 24 de ore înainte de instalare.

### Instrucțiuni de înlocuire a cartușului de filtru

- Închideți alimentarea cu apă a sistemului.
- Așezați un recipient sub furtun și filtru pentru apa care iese, apoi apăsați și eliberați butonul circular de aerisire pentru a reduce presiunea din sistem.
- **Scoateți capul cu cartușul filtrant din suportul de montare.**
- Apăsați butonul alungit de blocare a cartușului de filtrare și ejectați cartușul. Dacă cartușul este dificil de îndepărtat, rotiți-l ferm spre dreapta sau spre stânga și scoateți-l.
- Scoateți capacul protector al gâtului de pe noul cartuș filtrant. Capacul protector poate fi montat pe filtrul folosit, astfel încât apa să nu curgă din el.
- Urmați apoi aceiași pași ca și pentru instalarea capului pentru un cartuș de filtru nou (a se vedea pagina 26) și urmați instrucțiunile de la pagina 27. **Deschideți alimentarea cu apă, verificați dacă există scurgeri**
- Capul de filtrare are o protecție împotriva inundației: fără un cartuș de filtrare, apa nu trece prin capul de filtrare și nici nu iese din el.



### Întreținere

- Verificați în mod regulat dacă sistemul este etanș și dacă furtunurile nu sunt îndoite. Furtunurile îndoite trebuie înlocuite imediat.
- Nu utilizați agenți de curățare agresivi, substanțe abrazive sau soluții de curățare.

### Contor electronic de debit de apă

Contorul electronic de debit de apă măsoară cantitatea de apă filtrată.

### INSTALAREA SENZORULUI SE FACE DE CĂTRE UN INSTALATOR

### Instalarea bateriilor de alimentare cu energie electrică

Glisiți capacul compartimentului pentru baterii de pe partea laterală a carcasei debitmetrului, glisați coșulețul și introduceți două baterii alcaline AA în el, menținând polaritatea corectă. Apoi introduceți coșulețul și puneți la loc capacul. Capacitatea a două baterii alcaline AA este suficientă pentru doi ani de utilizare normală.



Exemplu de loc de montare a indicatorului

## Programarea monitorizării performanței de filtru

Apăsăți butonul "PROG", "PROG" va clipi pe afișajul LCD. Apoi apăsați "RESET" pentru a selecta valoarea corespunzătoare pentru a introduce cifra din dreapta. După selectarea valorii, apăsați butonul "PROG" pentru a salva valoarea și pentru a trece la următoarea cifră. Repetați procedura de mai sus pentru a programa valorile pentru cele cinci cifre de la dreapta la stânga. Valoarea maximă de monitorizare a debitmetrului este de 99999 litri. Finalizarea programării contorului va fi semnalizată printr-un semnal sonor \* Dacă nu se apasă niciun buton timp de un minut în timpul programării, procedura este finalizată și contorul revine la starea inițială.

După înlocuirea cartușului filtrant cu unul nou, apăsați scurt butonul RESET. Starea curentă a contorului va apărea pe afișaj. Apoi apăsați din nou butonul RESET timp de aprox. 5 secunde. Contorul va începe să monitorizeze performanța noului filtru.

## Exploatare

Flow Meter pornește automat și afișează capacitatea rămasă atunci când apa curge prin senzor și se oprește automat după 10 secunde atunci când apa nu curge.

## Alarma de uzură a filtrului

Flow Meter emite o alarmă sonoră, iar cifrele de pe afișajul LCD clipește atunci când capacitatea rămasă ajunge la zero sau minus. Se declanșează o alarmă de fiecare dată când apa trece prin senzor.

## Resetare

Apăsăți butonul "RESET" timp de trei secunde, "RESET" de pe afișajul LCD clipește de două ori și capacitatea rămasă este resetată la valoarea de programare inițială.

## Avertizare de baterie descărcată

Atunci când nivelul capacității bateriei este scăzut, Flow Meter generează o alarmă sonoră și în colțul din dreapta sus al afișajului LCD apare un simbol intermitent de baterie descărcată. Alarma va fi anulată atunci când bateriile sunt înlocuite cu altele noi. Înlocuirea bateriei nu duce la pierderea stării contorului.

## Date tehnice ale debitmetrului Flow Meter

Debitul de apă	0,2-5 l/min.
Măsurarea debitului de apă	de la 1-99999 litri
Alimentare cu energie electrică	2 baterii alcaline AA
Conexiune	furtun 1/4"
Temperatura de funcționare	de la 4 până la 80°C
Presiunea de funcționare	Max. 8 bare
Greutate	140 g
Precizie	+/- 5%
Lungimea cablului electric până la senzorul de debit	1,5 de metri
Repetabilitatea sistemului	1%

## Recomandări privind eliminarea și protecția mediului



### Recomandări pentru eliminarea indicatorului electronic independent de schimbare a filtrului.

În cazul în care aparatul, ambalajul, instrucțiunile de utilizare etc. poartă simbolul unui coș de gunoi cu roți barate, înseamnă că acesta face obiectul unei colectări separate în conformitate cu Directiva 2012/19/UE a Parlamentului European și a Consiliului. Simbolul de coș de gunoi cu roți barate de pe aparat, ambalaj sau instrucțiuni indică faptul că echipamentele electrice și electronice nu trebuie eliminate împreună cu alte deșeuri menajere după utilizare. Eliminarea aparatului ca deșeu mixt este interzisă, deoarece poate fi dăunătoare pentru mediu. Utilizatorul este obligat să predea echipamentele uzate la punctele de colectare a deșeurilor de echipamente electrice și electronice. În cazul eliminării necorespunzătoare a acestui produs, se pot aplica sancțiuni în conformitate cu legislația națională.



### Eliminarea bateriilor

Produsul necesită utilizarea de baterii, așa cum este descris în Directiva 2006/66/CE, care nu pot fi eliminate împreună cu alte deșeuri menajere. Familiarizați-vă cu reglementările locale privind eliminarea bateriilor, deoarece o eliminare corectă va contribui la prevenirea poluării mediului și a riscurilor pentru sănătate.

### Protecția mediului

Producătorul a depus toate eforturile pentru a elimina materialele de ambalare inutile. Materialele de ambalare utilizate pot fi împărțite în linii mari în trei grupe: carton (cutie de carton), polistiren expandat (protecție laterală) și polietilenă (pungi de plastic, folie protectoare). Dispozitivul este construit din materiale care pot fi reciclate și reutilizate de către companii specializate. Vă rugăm să vă familiarizați cu reglementările locale în vigoare în ceea ce privește eliminarea materialelor de ambalare, a bateriilor descărcate și a dispozitivelor electronice uzate.

Condiții de garanție

Formaster S.A., la adresa str. Fabryczna 24, 25-818 Kielce, înscrisă în Registrul antreprenorilor din Registrul Național Judiciar de către Tribunalul Districtual din Kielce, Secția a X-a Comercială a Registrului Național Judiciar, sub numărul KRS [Număr în Registrul Judiciar] 0000080942, NIP [CIF] 9590122245, REGON [Număr statistic] 290670483, BDO [Baza de date pentru produse și ambalaje] 000000048, capital social: 9.313.000,00 PLN integral vărsat, (denumit în continuare „Garant”) oferă o garanție pentru sistemul de filtrare Flow Comfort în termenii și condițiile stabilite în prezentul document.

1. Această garanție se aplică Sistemului de filtrare Flow Comfort (denumit în continuare „Produs”) achiziționat de către Client în magazinele de pe teritoriul Republicii Polonia. Garanția este onorată numai pe teritoriul Poloniei.
2. Produsul este acoperit de o garanție pentru defecte și defecte de fabricație, valabilă timp de 24 de luni de la data achiziției.
3. Garanția nu exclude, limitează sau suspendă drepturile Clientului care este consumator în conformitate cu prevederile privind garanția legală pentru defectele bunurilor vândute.
4. Garanția este valabilă numai dacă Clientul respectă toate instrucțiunile din manualul sistemului.

Executarea cererii de garanție

1. Înainte de a livra Produsul la centrul de service, clientul trebuie să contacteze mai întâi centrul de service Formaster prin telefon: linia de asistență gratuită 800 703 048 sau prin e-mail: [serwis@formaster.com](mailto:serwis@formaster.com), pentru informații privind modul de expediere/livrare a Produsului defect.
2. Clientul este obligat să livreze produsul direct la punctul de service la adresa: Formaster S.A., ul. Fabryczna 24, 25-818 Kielce. Livrarea produsului la punctul de service și returnarea acestuia la adresa specificată în cerere se face pe cheltuiala Garantului. Produsul trebuie protejat împotriva deteriorării de către Client pe durata transportului către Punctul de Service. Clientul este obligat să atașeze dovada achiziției și un formular de reclamație la produsul care face obiectul reclamației. Notificarea trebuie să conțină detalii precum: prenumele și numele, numărul de telefon, adresa de returnare, data la care a fost constatat defectul, descrierea defectului și solicitările Clientului.
3. Reclamația va fi examinată în termen de 10 zile lucrătoare de la data livrării Produsului la Punctul de Service și a notificării reclamației care conține cel puțin informațiile indicate la punctul 2 de mai sus. Formaster va informa Clientul cu privire la decizia pe care a luat-o cu privire la reclamație prin e-mail sau telefon.
4. Dacă reclamația este acceptată, adică acceptată în conformitate cu cererea Clientului, repararea sau înlocuirea produsului defect va avea loc în termen de 10 zile lucrătoare de la data informării Clientului cu privire la decizia menționată la punctul 3 de mai sus.
5. Termenul de reparație sau înlocuire menționat mai sus poate fi prelungit în cazul în care Clientul trimite o reclamație care nu conține informațiile specificate la punctul 2 de mai sus, în cazul în care Clientul nu trimite o dovadă de achiziție a Produsului și în alte cazuri justificate sau în caz de forță majoră, adică un eveniment extern care nu poate fi prevăzut sau prevenit prin mijloace normale sau împiedicat.
6. Dacă există o întârziere în repararea sau înlocuirea produsului, Formaster va informa Clientul despre acest lucru prin e-mail sau telefon.
7. Zila lucrătoare menționată în prezentul document se înțelege ca o zi calendaristică, excluzând sâmbăta, duminica și zilele recunoscute ca sărbători legale în conformitate cu legislația poloneză.
8. Orice produse defecte sau părți ale acestora care sunt înlocuite în cadrul reparației de garanție vor deveni proprietatea Garantului.
9. Dacă reclamația nu este acceptată, Produsul va fi returnat Clientului.
10. În cazul defectelor și al defectelor de fabricație ale Produsului, Clientul este obligat să se abțină imediat de la utilizarea Produsului defect din momentul în care defectul este descoperit.

Garanția nu acoperă:

- deteriorări/defecte care rezultă din utilizarea, întreținerea sau depozitarea care nu este în conformitate cu instrucțiunile de utilizare a Produsului;
- deteriorări mecanice, termice, chimice care rezultă (după eliberarea Produsului către Client) din cauza factorilor externi, adică din cauze care nu sunt inerente Produsului;
- deteriorări rezultate din deteriorări descoperite anterior de către Client și care nu au fost reparate;
- consecințele reparațiilor, modificărilor sau schimbărilor structurale efectuate de alte părți decât Punctul de Service;
- deteriorări cauzate de instalarea incorectă - nerespectarea instrucțiunilor din manual și instalarea de piese sau accesorii incorecte de către alte entități decât Punctul de Service;
- deteriorări apărute (după livrarea Produsului către Client) ca urmare a unor evenimente fortuite (de exemplu, inundații, incendii), adică din alte motive care nu sunt inerente Produsului;
- Produsul, dacă cartușul înlocuibil al filtrului, care și-a pierdut capacitatea de filtrare, nu a fost înlocuit în timp util.

Garanția își pierde valabilitatea atunci când:

- Punctul de service va identifica orice schimbări sau modificări aduse designului de către alte entități decât Punctul de Service;
- Punctul de Service identifică o intervenție mecanică asupra Produsului efectuată (după ce Produsul a fost livrat Clientului) de către o altă entitate decât Punctul de Service;
- daune provocate de accidente, astfel cum sunt descrise la punctul „Garanția nu acoperă”.

Date personale:

În conformitate cu articolul 13 din Regulamentul general privind protecția datelor din 27 aprilie 2016. (J O. EU L 119 din 04.05.2016) vă informăm că: Operatorul dvs. de date personale este Formaster S.A., str. Fabryczna 24, 25 – 818 Kielce.

Regulile de prelucrare a datelor cu caracter personal ale Clientilor sunt stabilite în Politica de confidențialitate disponibilă la adresa <https://dafi.pl/polityka-prywatnosci/> Orice întrebări, comentarii sau sugestii cu privire la garanția de mai sus pot fi trimise la adresa de e-mail: [serwis@formaster.com](mailto:serwis@formaster.com)

Prevederile prezentului document intră în vigoare la data de 27.09.2021 și se aplică Produsului achiziționat începând cu data de 27.09.2021. Documentul poate face obiectul unor modificări, astfel încât documentul modificat se va aplica Produselor comandate/achiziționate de la data intrării în vigoare a modificărilor. Modificarea documentului nu afectează în niciun fel garanția oferită pentru Produs înainte de data intrării în vigoare a Documentului modificat și drepturile dobândite de Clienti înainte de data intrării în vigoare a Documentului modificat.

- A szűrőbetétben található természetes eredetű gyanta rétegek és az aktív szén tökéletesen csökkenti a csapvíz keménységét és csökkenti a klór és más nemkívánatos anyag tartalmát. A víz tiszta és teljes körben alkalmas közvetlen fogyasztásra és annak bázisán italok és ételek elkészítésére.
- A szűrési szint beállítása előtt tesztcsikkal meg kell határozni a csapvíz keménységét. A keménységre vonatkozó információk a helyi vízműveknél is hozzáférhetők.
- A karbonátkeménység-csökkentés mértékének beállítása a szűrőbetét fejhez viszonyított helyzetének (elfordulás) beállításából áll a felvitt jelölések szerint. A szabályozási beállítások, a szűrő teljesítménye és élettartama a helyi vízjellemzőktől, valamint a vízhálózat állapotától függ.
- Javasoljuk, hogy a szűrőrendszert ne hagyja hosszú ideig használaton kívül. Ha a rendszert 2-3 napig nem használják, ajánlatos 2 liter vízzel átöblíteni. Ha több mint egy hónapja nem használták, át kell öblíteni 20 liter vízzel.
- A szűrt víz 1-2 napig felhasználható marad (a tárolási körülményektől függően).
- Tekintettel másodlagos szennyeződések fellépésének lehetőségére a vízhálózatban, a rendszert a PN-EN 1717 szerinti 2. kategóriába sorolták be.
- A szűrőbetétet és a fejet védeni kell a túlzott felmelegedéstől és a napfénytől.
- A gyárilag becsomagolt D1 szűrőbetét a gyártástól számított 5 évig használható fel.
- A szűrőbetét G3/8" menettel ellátott hálózathoz illeszkedik.

A használat biztonsága - fontos információk

- A csapvíz-szűrőrendszert a hideg ivóvíz csatlakozásához kell telepíteni. Ne használja olyan víz esetében, amelynek ivóvízként való felhasználhatóságát nem vizsgálták.
- A szűrő elé elzárószelepet kell felszerelni. A készletben található háromutas csaptelepben beépített elzárószelep található.
- Ha a víznyomás nagyobb, mint a névleges, akkor redukációs szelepet kell felszerelni.
- Néhány embercsoport, például vesebetegek, gyenge immunrendszerűek esetén konzultáljon szakemberrel és/vagy orvossal a szűrő használatának lehetőségéről és módjáról.
- Javasoljuk, hogy a szűrőrendszert ne hagyja hosszú ideig használaton kívül. Ha a rendszert 2-3 napig nem használják, ajánlatos 2 liter vízzel átöblíteni. Ha több mint egy hónapja nem használták, át kell öblíteni 20 liter vízzel.
- A szűrt víz 1-2 napig felhasználható marad (a tárolási körülményektől függően).
- Tekintettel másodlagos szennyeződések fellépésének lehetőségére a vízhálózatban, a rendszert a PN-EN 1717 szerinti 2. kategóriába sorolták be.
- A szűrőbetétet és a fejet védeni kell a túlzott felmelegedéstől és a napfénytől.
- A gyárilag becsomagolt D1 szűrőbetét a gyártástól számított 5 évig használható fel.
- A szűrőbetét G3/8" menettel ellátott hálózathoz illeszkedik.

Szűrő rendszer műszaki adatai

Üzemi nyomás	0,08 - 0,6 MPa (0,8 - 6 bar)	
Maximális üzemi nyomás (felette nyomáscsökkentőt kell alkalmazni)	0,8 Mpa (8 bar)	
Felvett víz hőmérséklete	4°C és 30°C között	
Környezeti hőmérséklet tárolás és szállítás közben	-15°C és 40°C között	
Vízáramlás (átlagolt értékek az összes A,B,C,D beállításhoz)	Hálózati víznyomás	1,6 l/perc 0,1 MPa (1 bar)
		2,5 l/perc 0,2 MPa (2 bar)
		3,7 l/perc 0,3 MPa (3 bar)
		4,3 l/perc 0,4 MPa (4 bar)
Szerelési pozíció	Függőleges	
Vízcsatlakozás - bemeneti és kimeneti	1/4" (6,3 mm) víztömítő	
Szűrő betét súlya (nedves/száraz)	1735 g/1115 g	
Szűrő méretek fejfel és fogantyúval	110x110x290 mm	

Csomagolás tartalma

- |   |  |  |  |                                       |                                  |
|---|--|--|--|---------------------------------------|----------------------------------|
| D1 szűrő betét, a csapvíz ízének javítására és t úlzott keménységének csökkentésére | Szűrő betét fej négyfokozatú szabályozással a rendszer működésének a víz keménységi fokához való beállításához | Fogantyú és csavarok a falra szereléshez | Elektronikus víz áramlás mérő Flow Meter | Háromutas csaptelep és rugalmas tömlő | Vízkeménység vizsgáló tesztcsikk |
|---|--|--|--|---------------------------------------|----------------------------------|



Megjegyzések összeszerelés előtt

- A rendszer elemek telepítése előtt ellenőrizni kell, hogy a csatlakozó elemeken nincsenek-e sérülés jelei, és nincs-e rajtuk vízkövesedés. Szükség esetén az alkatrészeket meg kell tisztítani vagy ki kell cserélni.
- A Flow Comfort szűrőrendszer telepítését az ivóvíz-berendezésekre vonatkozó hatályos előírásoknak megfelelően kell elvégezni.

A fejrész felszerelése a szűrőbetétre

- 1 A fejnek a szűrőbetéthez való rögzítése előtt el kell távolítani a védőburkolatot. A védőburkolat eltávolításának módja:



Szakítsa le a biztosító pántot



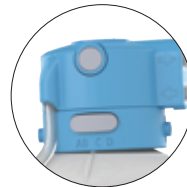
Távolítsa el a védőburkolatot



1. ábra

- 2 Nyomja meg a szűrőbetét fejét határozott mozdulattal, az egész felületet egyenletesen, hogy ne legyen rés a szűrő és a fej között. A fej felszereléskor javasoljuk, hogy a szűrőbetétet stabil felületre helyezze, például a szekrény aljára vagy a padlóra. Győződjön meg arról, hogy a reteszelő gomb ugyanúgy kihúzva legyen, mint mielőtt a fejet a szűrőhöz csatlakoztatta. (1. ábra) A betétet nyilakkal jelölt helynek a fejen lévő ABCD jelölésekkel szemben kell lennie.

A fej részét képező légtelenítő tömlőt szabadon kell kivezetni és annak a fejen kívül kell elhelyezkednie.



#### A szűrőrendszer csatlakoztatása a vízhálózathoz

- Ossa fel a rugalmas tömlőt két részre - az egyiket a vízellátó hálózatba történő felszereléshez, a másik pedig a háromutas csapterlephöz. Ne felejtse el derékszögben vágni a tömlőt.
- A szűrőrendszer 1/4" (6,3 mm) víztömlőkkel csatlakozik a vízhálózathoz, azokat ütközésig behelyezve a fejben található gyorscsatlakozókba.
- A víztömlők helyét a fejen nyilak jelzik, amelyek a víz be- és kimenetét mutatják.
- A hideg ivóvízcsatlakozás típusától és méretétől függően a szivótömlő felszerelésének számos módja van.

A bemeneti tömlő vízbevezetéshez való csatlakoztatásához használja a 1/4" (6,3 mm) víztömlőkhöz illeszkedő háromutas csapterlepet.

A szögletes elzárószelep visszacsapó szeleppel, G3/8" menettel és gyorscsatlakozóval 1/4" víztömlőhöz.

- lehetővé teszi a 1/4" víztömlő csatlakoztatását a rugalmas csaptömlő hidegvíz-bevezetéshez való csatlakoztatásának helyén
- védelmet nyújt a szűrőből történő fordított kiáramlás ellen
- A gyorscsatlakozónak köszönhetően gyors és egyszerű a 1/4" tömlő csatlakoztatása

#### A fali tartó felszerelése

- A szűrő szabadon állhat a talajon függőleges helyzetben, vagy felfüggeszthető egy fali tartóra úgy, hogy a tömlők lazák legyenek.
- A fali tartót két csavarral kell felszerelni, amelyek megfelelően vannak kiválasztva a fal típusához, pl. bútorforgácslaphoz - 3,5 Pz csavarok. A tartót úgy kell felszerelni, hogy elegendő hely álljon rendelkezésre a szűrőbetétnek függőleges helyzetben.



1.mód



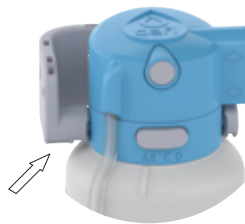
2. mód

#### A fej rögzítése szűrőbetéttel a tartóhoz

- 1 Helyezze be a fejhorgot a tartó jobb oldalán lévő nyílásba.

- 2 Kissé hajtsa ki a tartó túloldali karját és rögzítse a fejet a horog nyílásba történő benyomásával.

- 3 Ellenőrizze a fej behelyezésének stabilitását.



A megadott hozamok azok a maximális értékek, amelyeket a szűrt víz minősége miatt nem szabad túllépni. A tényleges teljesítmény nagymértékben függ a szűrőbe belépő víz paramétereitől.

#### A rendszer beindítás

- 1 A vízellátás bekapcsolása előtt győződjön meg arról, hogy az összes telepítési lépést megfelelően hajtotta végre, és minden rendszerelemet megfelelően szerelt-e fel.
- 2 Nyissa ki a szűrt víz csapját.
- 3 Kapcsolja be a vízellátást, ellenőrizze, hogy nincs-e szivárgás, és folyassa a vizet, amíg tiszta és légbuboréktól mentes lesz.

#### A víz keménységének vizsgálata

- A vízkeménység-csökkentési szint beállítása előtt határozza meg a csapvíz karbonátkeménységét a mellékelt tesztsík segítségével. A vízkeménység mértékére vonatkozó információkat a helyi vízművek hozzáférhetővé teszik.
- Merítse 1 másodpercre a tesztsík összes reakciómezőjét egy pohár hideg, szűretlen vízbe.
- Rázza le a felesleges vizet a csikról.
- 60 másodperc elteltével ellenőrizze azon mezők számát, amelyek zöld színüket rózsaszínre váltották és módosítsa a fej beállítását az 1. táblázat szerint.

## A vízkeménység-csökkentési beállítás kiválasztása

A szűrőbetétek a fejhez viszonyított elforgatásával beállítható a vízkeménység csökkentésének optimális szintje. A megfelelő beállítást az 1. táblázat mutatja be:



1. táblázat		A víz karbonát keménysége		A víz karbonát keménység csökkentési szintjének beállítása	A D1 szűrőbetét teljesítménye literben
Vízkeménység vizsgálati eredmény	Német fokban [°d]	CaCO <sub>3</sub> mg/l (milligramm per liter)			
	Kemény és nagyon kemény víz 14 felett	Több mint 250		400	
	Közepesen kemény víz 8 és 14 között	140 és 250 között		600	
	Lágy víz 4 és 8 között	70 és 140 között		1100	
	Nagyon lágy víz 4 alatt	70 alatt		1500	

A megadott teljesítmények maximális értékek, amelyeket a szűrt víz minősége miatt nem szabad túllépni. A tényleges teljesítmény nagymértékben függ a szűrőbe belépő víz paramétereitől

### PERFECT szűrőbetét cseréje

A szűrőbetétet ki kell cserélni, ha az alábbi esetek legalább egyike bekövetkezik:

- A szűrt víz íze vagy szaga rosszabbá válik.
- Elérte a gyártó által megadott teljesítményt (lásd az 1. táblázat).
- Eltelt 12 hónap a szűrő beszerelésétől.
- Függetlenül a víz hálózati nyomás esetétől egyértelműen észrevehető nyomásesés következik be a kiáramló vízben.
- A kijelző jelzi a használat idejét, amely után a szűrés hatékonysága csökken.

### Figyelem!

Ha a terméket 4 ° C alatt tárolták vagy szállították, hagyja szobahőmérsékleten a nyitott csomagolásban legalább 24 órán át a telepítés előtt.

### Utasítások a szűrőbetét cseréjére

- Zárja le a rendszer vízellátását.
- Helyezzen a tömlő és a szűrőbetét alá edényt a kiáramló víz felfogására, majd ezt követően nyomja be és engedje fel a kerek légtelenítő gombot a rendszerben lévő nyomás csökkentése céljából.
- **Távolítsa el a fejet a szűrőbetéttel együtt a rögzítő tartóból.**
- Nyomja meg a hosszanti szűrőbetét-zár gombot, és vegye ki a betétet. Ha a betétet nehéz eltávolítani, fordítsa határozottan jobbra vagy balra, és húzza ki.
- Távolítsa el a nyak burkolatot az új szűrőbetétről. A burkolatot egy használt szűrőre lehet helyezni, hogy a víz ne folyjon ki belőle.
- Ezután úgy járjon el, mint amikor új szűrőbetétet szereli be a fejet (lásd 31. oldal), és indtsa azt be a 32. oldalon található utasítások szerint. **Kapcsolja be a vízellátást, ellenőrizze, hogy nincs-e szivárgás**
- A szűrőfej védve van az előtét ellen: szűrőbetét nélkül a víz nem áramlik és nem is folyik ki a szűrőfejből.



### Karbantartás

- Rendszeresen ellenőrizze, hogy a rendszer tömített-e, és hogy a tömlők nincsenek-e meghajlítva. A meghajlított tömlőket azonnal ki kell cserélni.
- Ne használjon agresszív tisztítószereket, súrolószereket vagy tisztítóoldatokat.

### Elektronikus vízáramlás mérő

Az elektronikus vízáramlás mérő végzi a kiáramló szűrt víz mennyiségének mérését.

### AZ ÉRZÉKELŐ FELSZERELÉSÉT A TELEPÍTŐ HAJTJA VÉGRE

#### Tápegységek behelyezése

Nyissa fel az elemtartó rekesz fedelét az áramlásmérő házának oldalában, csúsztassa ki a kosarat, és helyezzen be két AA alkáli elemet a megfelelő polaritás megtartása mellett. Ezután csúsztassa be a kosarat és tegye fel a fedelet. Két AA alkáli elem kapacitása elegendő két év normál használatához.



A kijelző felerősítési helyének példája

#### Szűrőteljesítmény figyelés programozása

Nyomja meg a "PROG" gombot, az LCD-n elkezd villogni a "PROG" felirat. Ezután nyomja meg a "RESET" gombot a megfelelő érték kiválasztásához és a jobb számjegy elmentéséhez. Az érték kiválasztása után nyomja meg a "PROG" gombot az érték mentéséhez és a következő számjegyre lépéshez. Ismétlje meg a fenti eljárást az öt számjegy értékeinek jobbról balra történő beállításához. A Flow Meter áramlás megfigyelésének maximális értéke 99999 liter. A programozás befejezése után a számláló hangjelzéssel jelez\*. Ha a programozás közben egy percre nem nyomunk meg egyetlen gombot sem, az eljárás befejeződik, és a számláló visszatér eredeti állapotába.

Miután kicserélte a szűrőbetétet, nyomja meg röviden a RESET gombot. A kijelzőn megjelenik az aktuális mérőállás. Ezután nyomja meg ismét a RESET gombot kb. 5 másodpercre. A számláló elkezd figyelni az új szűrő teljesítményét.

#### Üzemeltetés

A Flow Meter áramlásmérő automatikusan bekapcsol, és megjeleníti a fennmaradó kapacitást, amikor víz áramlik át az érzékelőn, és 10 másodperc múlva automatikusan kikapcsol, ha a víz nem folyik.

#### Szűrő elhasználódás riasztás

A Flow Meter áramlásmérő hangjelzést ad, és az LCD-n lévő számok villognak, amikor a fennmaradó kapacitás eléri a nullát vagy a mínuszt. Minden alkalommal riasztás jön létre, amikor víz áramlik át az érzékelőn.

#### Visszaállítás

Nyomja meg három másodpercig a "RESET" gombot, az LCD kijelzőn található "RESET" gomb kétszer villog, és a fennmaradó kapacitás visszaáll az eredeti programozási értékre.

#### Figyelmeztetés az elemek lemerülésére

Ha az elemek kapacitása alacsony, az áramlásmérő hangjelzést ad, és az LCD jobb felső sarkában egy villogó üres elem szimbólum jelenik meg. A riasztás törölődik, ha az elemeket újjakra cserélik. Az elemcseré nem eredményezi a mérő állapotának elvesztését.

#### A Flow Meter vízáramlásmérő műszaki adatai

Vízáramlás	0,2-5 l/perc
Áramlásmérési tartomány	1-99999 liter között
Tápellátás	2 db AA alkáli elem
Csatlakozó	1/4" tömlő
Üzemi hőmérséklet	4 és 80°C között
Üzemi nyomás	maks. 8 bar
Súly	140 g
Pontosság	+/- 5%
Az áramlásérzékelőhöz vezető elektromos kábel hossza	1,5 méter
A rendszer ismételtelhetősege	1 %

#### Ártalmatlanítási és környezetvédelmi ajánlások



##### Ajánlások az elektronikus független szűrőcsere-jelző ártalmatlanításához

Ha az eszköz, a csomagolás, a használati utasítás stb. áthúzott kerek hulladékgyűjtő tartály szimbólumával vannak ellátva, az azt jelenti, hogy a 2012/19/EU európai parlamenti és tanácsi irányelv szerinti elkülönített gyűjtés tárgyát képezi. Az áthúzott tartály szimbólum a készüléken, a csomagoláson vagy a használati utasításban azt jelzi, hogy az elektromos és elektronikus berendezéseket a használati időtartam után nem szabad más háztartási hulladékkal együtt ártalmatlanítani. Tilos a berendezést vegyes szilárd hulladékként ártalmatlanítani, mivel káros lehet a környezetre. A Felhasználó köteles a hulladékká vált berendezést az elektromos és elektronikus berendezések hulladékgyűjtő pontjainak üzemeltetőihez visszajuttatni. A termék nem megfelelő ártalmatlanítása esetén a nemzeti jogszabályokkal összhangban szankciók szabhatók ki.



##### Elemek ártalmatlanítása

A termékhez a 2006/66/EK irányelvben leírt elemeket kell használni, amelyeket nem lehet más háztartási hulladékkal együtt ártalmatlanítani. Feltétlenül ellenőrizze az akkumulátorok ártalmatlanítására vonatkozó helyi előírásokat, mivel a megfelelő ártalmatlanítás segít megelőzni a környezetszennyezést és az egészségkárosodást.

##### Környezetvédelem

A gyártó mindent megtett a felesleges csomagolóeszközök kiiktatása érdekében. Az alkalmazott csomagolóeszközök alapvetően három csoportra oszthatók: karton (kartondoboz), polisztirolhab (oldalsó védőelemek) és polietilén (műanyag zsákok, védőfólia). A készülék olyan anyagokból készült, amelyek erre szakosodott cégek által ártalmatlaníthatók és újrafelhasználhatók. Kérjük, ismerje meg a csomagolóanyagok, a lemerült akkumulátorok és a használt elektronikus eszközök ártalmatlanítására vonatkozó helyi előírásokat.

## A DAFI garancia feltételeinek fordítása

### Garanciális feltételek

A Formaster S.A., székhelye: ul. Fabryczna 24, 25-818 Kielce, bejegyezve a Országos Bírósági Vállalkozói Cégjegyzékbe a Kielcei Kerületi Bíróság X. Gazdasági Osztálya által, KRS cégjegyzék száma: 0000080942, Adószám: 9590122245, REGON statisztikai számjel: 290670483, Hulladékgazdálkodási Rendszer száma BDO: 000000048, jegyzett tőke: 9.313.000,00 PLN, teljes egészében befizetve, (továbbiakban: „Garanciavállaló”) garanciát nyújt a Flow Comfort szűrőrendszerre a jelen dokumentumban meghatározott feltételek és szabályok szerint.

1. A jelen garancia a Flow Comfort szűrőrendszerre (a továbbiakban: „Termék”) vonatkozik, amelyet az Ügyfél a Lengyel Köztársaság területén található üzletekben vásárolt meg. A garancia kizárólag Lengyelország területén érvényesíthető.
2. A Termékre gyártási hibákra és anyaghibákra vonatkozó garancia érvényes, amely a vásárlás napjától számított 24 hónapig tart.
3. A jelen garancia nem zárja ki, nem korlátozza és nem függeszti fel az Ügyfélnek – amennyiben fogyasztónak minősül – a megvásárolt termék hibáira vonatkozó szavatossági jogszabályokból eredő jogait.
4. A garancia csak abban az esetben érvényes, ha az Ügyfél betartja a rendszer használati útmutatójában szereplő valamennyi ajánlást és előírást.

### Garanciális igény érvényesítése

1. Mielőtt a Terméket a Szervizpontra eljuttatná, a Vásárló köteles előzetesen kapcsolatba lépni a Formaster szervizével telefonon: ingyenes ügyfélszolgálati szám: 800 703 048, vagy e-mailben: [serwis@formaster.com](mailto:serwis@formaster.com), annak érdekében, hogy információt kapjon a hibás Termék elküldésének vagy átadásának módjáról.
2. A Vásárló köteles a Terméket közvetlenül a Szervizpontra eljuttatni az alábbi címre: Formaster S.A., ul. Fabryczna 24, 25-818 Kielce. A Termék Szervizpontra történő szállítása, valamint annak a reklamációs bejelentésben megadott címre történő visszaküldése a Garanciavállaló költségére történik. A Terméket a Vásárló köteles a Szervizpontra történő szállítás idejére megfelelően becsomagolni és a sérülésektől megóvni. A Vásárló köteles a reklamált Termékhez csatolni a vásárlást igazoló bizonylatot, valamint a reklamációs bejelentést. A bejelentésnek tartalmaznia kell az alábbi adatokat: név és vezetéknév, telefonszám, visszaküldési cím, a hiba észlelésének dátuma, a hiba leírása, valamint a Vásárló igénye.
3. A reklamáció elbírálása a Termék Szervizpontra történő beérkezésétől, valamint a legalább a fenti 2. pontban megjelölt információkat tartalmazó reklamációs bejelentés kézhezvételétől számított 10 munkanapon belül történik. A Formaster a reklamációval kapcsolatos döntésről e-mailben vagy telefonon értesíti a Vásárlót.
4. A reklamáció pozitív elbírálása esetén, azaz amennyiben azt a Vásárló kérelmének megfelelően elfogadják, a hibás Termék javítása vagy cseréje a Vásárló értesítésétől számított 10 munkanapon belül történik, a fenti 3. pontban említett döntésről szóló tájékoztatást követően.
5. A fenti javítási vagy cserehatáridő meghosszabbítható, ha a Vásárló olyan reklamációs bejelentést küld, amely nem tartalmazza a fenti 2. pontban megjelölt információkat, ha a Vásárló nem küldi meg a Termék vásárlását igazoló bizonylatot, valamint egyéb indokolt esetekben vagy vis maior esetén, azaz olyan külső esemény bekövetkezésekor, amely nem volt előre látható, illetve amelynek bekövetkezése szokásos eszközökkel nem volt megelőzhető vagy elhárítható.
6. Amennyiben a javítás vagy csere késedelmet szenved, a Formaster e-mailben vagy telefonon tájékoztatja a Vásárlót.
7. A jelen dokumentumban szereplő munkanap alatt olyan naptári nap értenőd, amely nem esik szombatra, vasárnapra, illetve a lengyel jog szerint munkaszüneti napnak minősülő napra.
8. A garanciális javítás során új alkatrészekre cserélt hibás Termékek vagy azok részei a Garanciavállaló tulajdonába kerülnek.
9. Amennyiben a reklamáció nem kerül elfogadásra, a Terméket visszaküldik a Vásárlónak.
10. A Terméken jelentkező gyártási hibák vagy meghibásodások esetén a Vásárló köteles a hiba észlelésének pillanatától haladéktalanul abbahagyni a sérült Termék használatát.

### A garancia nem terjed ki az alábbiakra:

- olyan hibákra vagy sérülésekre, amelyek a Termék használati útmutatójával ellentétes használatból, karbantartásból vagy tárolásból erednek;
- mechanikai, hő- vagy vegyi károsodásokra, amelyek a Termék Vásárlónak történő átadását követően külső tényezők hatására, tehát nem a Termékben rejlő okból keletkeztek;
- olyan károsodásokra, amelyek korábban a Vásárló által már észlelt, de nem kijavított hibák következményeként jöttek létre;
- javítások, átalakítások vagy szerkezeti módosítások következményeire, amelyeket a Szervizponton kívüli személy vagy szervezet végzett;
- olyan károkat, amelyek nem megfelelő szerelésből erednek, azaz a használati útmutatóban foglalt ajánlásokkal ellentétes szerelésből, illetve nem megfelelő alkatrészek vagy tartozékok használatából, ha azt a Szervizponton kívüli személy vagy szervezet végezte;
- olyan károsodásokra, amelyek a Termék Vásárlónak történő átadását követően véletlen jellegű események (pl. árvíz, tűz) következtében keletkeztek, tehát nem a Termékben rejlő okból;
- a Termékre, amennyiben a szűrőképességét elvesztett cserélhető szűrőbetétet nem cserélték ki időben.

### A garancia érvényét veszti, ha:

- a Szervizpont megállapítja, hogy a Terméken a Szervizponton kívüli szervezet átalakítást vagy szerkezeti módosítást végzett;
- a Szervizpont megállapítja, hogy a Terméken (a Vásárlónak történő átadását követően) a Szervizponton kívüli szervezet mechanikai beavatkozást végzett;
- a károsodások „A garancia nem terjed ki” pontban felsorolt események következtében keletkeztek.

### Személyes adatok:

A 2016. április 27-i, általános adatvédelmi rendelet (EU) 2016/679 (Az Európai Unió Hivatalos Lapja, L 119, 2016. 05. 4.) 13. cikkének megfelelően tájékoztatom, hogy: Az Ön személyes adatainak adatkezelője a Formaster S.A., székhely: ul. Fabryczna 24, 25-818 Kielce.

A Vásárló személyes adatainak kezelési szabályait a <https://dafi.pl/polityka-prywatnosci/> címen elérhető Adatvédelmi szabályzat tartalmazza. A jelen garanciával kapcsolatos minden kérdést, észrevételt vagy javaslatot az alábbi e-mail címre lehet küldeni: [serwis@formaster.com](mailto:serwis@formaster.com)

A jelen dokumentum rendelkezései 2021.09.27. napjától lépnek életbe, és a 2021.09.27. napjától vásárolt Termékekre vonatkoznak. A dokumentum módosulhat; a módosított dokumentum az életbe lépés napjától megrendelt/vásárolt Termékekre alkalmazandó. A Dokumentum módosítása nincs hatással a módosított Dokumentum hatálybalépése előtt a Termékre nyújtott jótállásra, valamint a Vásárló által a módosított Dokumentum hatálybalépése előtt szerzett jogokra.