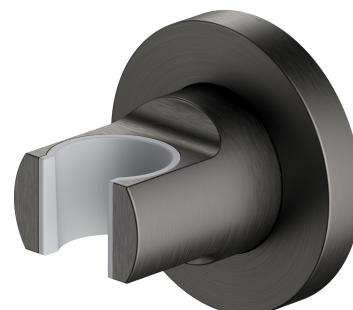


BRACKET | wall bracket

Finish: brushed graphite (GR)



Technologies



The product is made of high quality A-grade brass.

Flow characteristics

- working pressure 1-5 bar

Specification

- brass
- rosette dimensions: $\varnothing 6$ cm, distance from the wall: 5 cm

