

BARETTI | shower mixer

Finish: matt black (BLM)

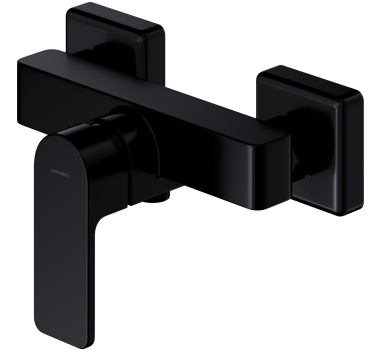
The OMNIRES BARETTI collection stands out with intriguing shapes of the body based on right angles and curves. This modern and harmonious form marvels with perfectly defined details.

Made of high grade brass, the mixer is equipped with a superior quality ceramic cartridge.

Matt black is an expressive finishing with a velvety to the touch surface.

Design: Dominika Drezner-Ilczuk

Certificates: Polish Declaration of Performance (B marking), Polish Hygienic Certificate PZH



Technologies



The mixer is equipped with the highest quality ceramic cartridge which ensures smooth and precise water flow control whilst guaranteeing long term product performance.



The mixer's body is made of high quality A-grade brass.

Flow characteristics

- water flow at 3 bar: 20 l/min
- hot water supply: max. 90 °C
- working pressure 1-5 bar
- noise class: N

