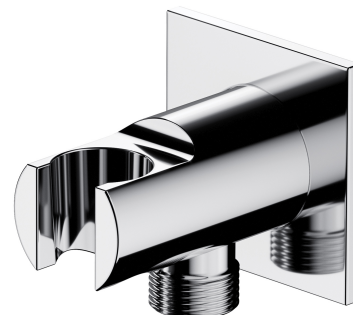


SHOWER ELBOW | shower elbow

Finish: chrome (CR)



Technologies



The product is coated using the advanced electroplating technology which guarantees durability, offers good resistance to mechanical damage and facilitates cleaning.



The product is made of high quality A-grade brass.

Flow characteristics

- working pressure 1-5 bar

Specification

- brass
- with a hand shower bracket
- rosette dimensions: 6 x 6 cm
- distance from the wall 7 cm

