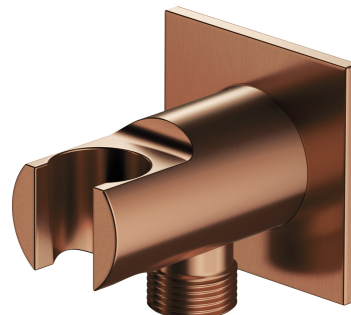


SHOWER ELBOW | shower elbow

Finish: brushed copper (CPB)



Technologies



The product is coated using the advanced PVD technology which guarantees the highest possible durability and facilitates cleaning.



The product is made of high quality A-grade brass.

Flow characteristics

- working pressure 1-5 bar

Specification

- brass
- with a hand shower bracket
- rosette dimensions: 6 x 6 cm
- distance from the wall 7 cm

