

Y | kitchen tap with pull-out spout

Finish: brushed steel (IN)

The OMNIRES Y kitchen tap, with its clean line and impeccable form, expresses the passion in pursuit of the ideal. Its timeless and perfectly refined design, created in the spirit of minimalism based on the shape of a circle, offers countless design possibilities. The pull-out swivel spout increases the reach of the water stream and the mixer's functionality. The total height of the mixer is 40.5 cm.

Made of high grade stainless steel, the mixer is equipped with a superior quality ceramic cartridge. Innovative technological solutions ensure the highest comfort of use and reduce water consumption by 50%.

Design: Janusz Langner, OMNIRES Studio

Certificates: Polish Declaration of Performance (B marking), Polish Hygienic Certificate PZH



Technologies



The mixer is equipped with the highest quality ceramic cartridge which ensures smooth and precise water flow control whilst guaranteeing long term product performance.



The ECO WATER technology minimizes environmental footprint by reducing the water consumption by approx. 50%, without compromising on the overall product experience.



Thanks to the AIR WATER technology, the water is soft and pleasant to the touch. The stream does not spray and it is quiet and consistent, even if any variations in water pressure occur.



The kitchen tap, made of high quality stainless steel, features a perfectly crafted design and exceptional resistance to damage, preserving its appearance even after years of use.

Flow characteristics

- water flow at 3 bar: 8.39 l/min
- hot water supply: max. 90 °C
- working pressure 1-10 bar
- noise class: II

Specification

- stainless steel
- swivel spout, pull-out spout
- spout reach: 22 cm
- water outflow height: 23.2 cm
- total mixer height: 40.5 cm

Product care

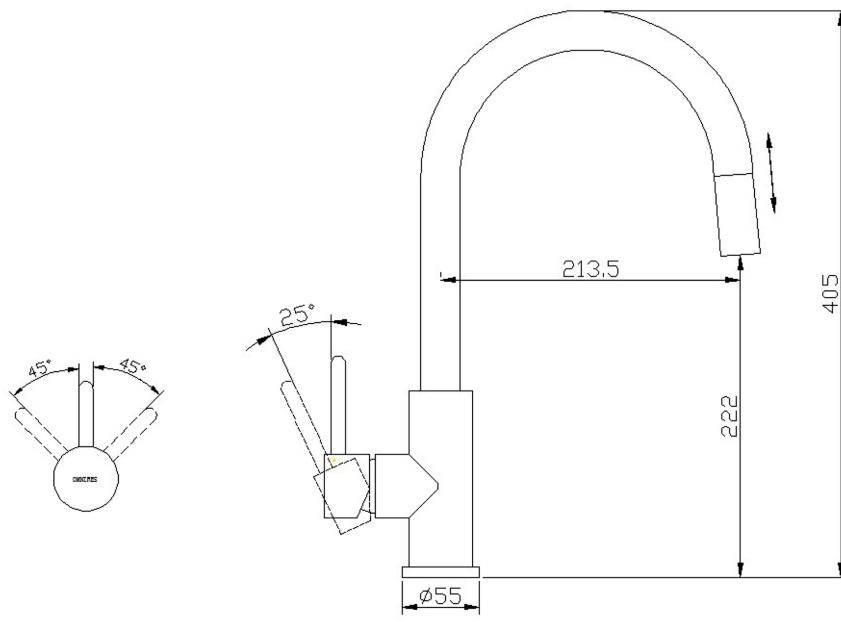
How to take care of bathroom and kitchen fittings?

You should clean your bathroom and kitchen fittings regularly, preferably after each use, so as to prevent the build-up of hard-to-remove dirt. For daily maintenance of external surfaces, use a soft cloth (for example, a microfibre cloth) and a solution of water with a mild cleaning agent with a natural composition, then rinse the product thoroughly with clean water and wipe it dry. It is not recommended to use rough or abrasive materials and corrosive or bleaching substances to prevent damaging the surface of the product.

For more stubborn dirt, use a 10% citric acid solution with water. Apply this solution directly to the product or cover the product with a cloth soaked in the solution. After 10 minutes, rinse the product thoroughly with clean water and wipe it dry. If necessary, the process can be repeated.

What is the best method for cleaning the aerator?

Remember to regularly control the flow of water through the aerator so as to ensure its problem-free operation and protect it from damage. In the case of small contaminants in the water or "hard" water, remove the aerator once every few weeks and clean it with a brush. In the case of more stubborn dirt, we recommend soaking the aerator for 10 minutes in a 10% citric acid solution with water.



1